

**instruction manual
eredeti használati utasítás
návod na použitie
manual de utilizare
uputstvo za upotrebu
návod k použití
uputa za uporabu**



EN - Safety and maintenance / H - Biztonság és karbantartás /
SK - Bezpečnosť a údržba / RO - Siguranță și întreținere /
SRB-MNE - Bezbednost i održavanje / CZ - Bezpečnost a údržba /
HR-BIH - Sigurnost i održavanje

4 – 51

EN - Functions / H - Funkciók / SK - Funkcie / RO - Funcții /
SRB-MNE - Funkcije / CZ - Funkce / HR-BIH - Funkcije

52 – 56



figure 1. • 1. ábra • 1. obraz • figura 1. • 1. skica • 1. obrázek • 1. slika

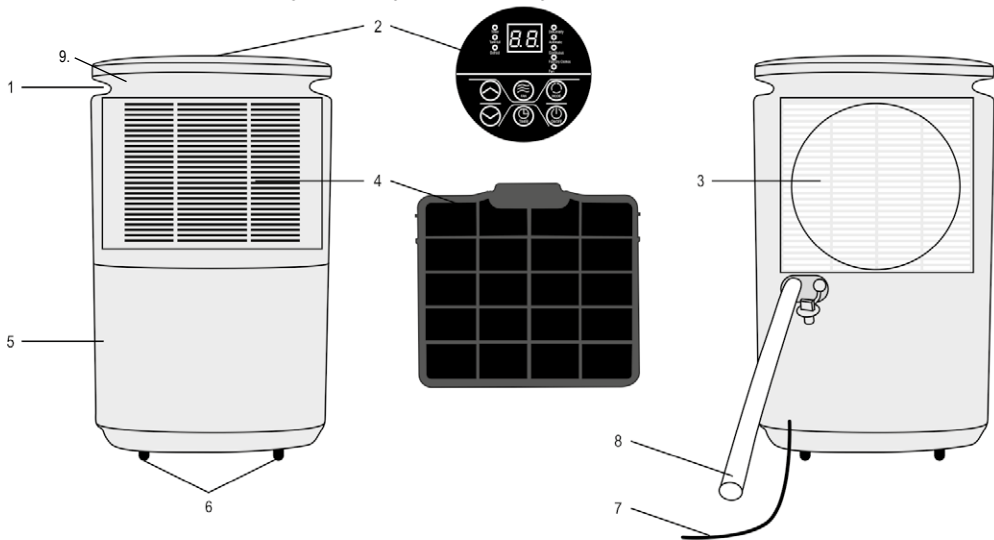


figure 2. • 2. ábra • 2. obraz • figura 2. • 2. skica • 2. obrázek • 2. slika

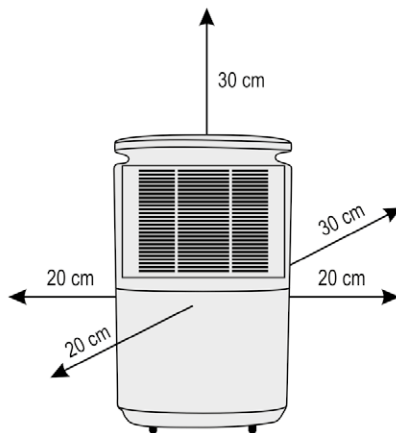


figure 3. • 3. ábra • 3. obraz • figura 3. • 3. skica • 3. obrázek • 3. slika

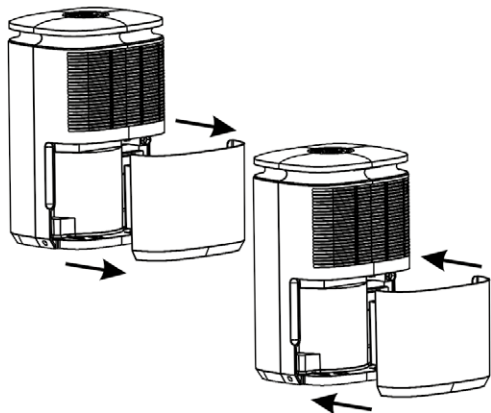
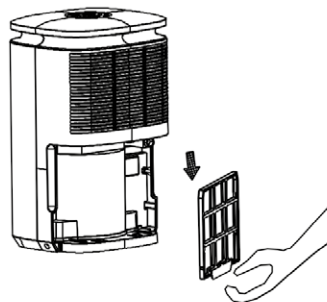


figure 4. • 4. ábra • 4. obraz • figura 4. • 4. skica • 4. obrázek • 4. slika



	EN	H	SK	RO
	STRUCTURE (Figure 1.)	FELÉPÍTÉS (1. ábra)	ŠTRUKTÚRA (1. obrázok)	STRUCTURĂ (fig. 1.)
1.	carrying handle	hordfűl	držadlo	măner
2.	control panel	kezelőpanel	ovládaci panel	panou de control
3.	air outlet	kifűvőnyílás	otvor pre výstup vzduchu	fantă evacuare aer
4.	removable washable filter / air inlet	kivehető mosható szűrő / levegő bevezető	vyberateľný umývateľný filter / otvor pre vstup vzduchu	filtru lavabil, detașabil / orificiu admisie aer
5.	removable water tank	kivehető víztartály	vyberateľná nádrž na vodu	rezervor detașabil
6.	wheels	kerekek	koleska	roți
7.	power cable	hálózati csatlakozókábel	sieťový pripojovací kábel	cablu de alimentare
8.	drainage pipe	vízvezető cső	hadica pre odtok vody	tub drenaj
9.	indicator LEDs below the carrying handle	hordfűl alatti visszajelző LED-ek	LED kontrolky pod držadlom	indicatori LED sub măner

	SRB-MNE	CZ	HR-BIH
	SASTAVNI DELOVI (1. skica)	SOUČÁSTI	DIJELOVI UREĐAJA (Slika 1.)
1.	držka	Přenosný úchyt	ručka za nošenje
2.	kontrolna ploča	Ovládací panel	kontrolna ploča
3.	otvor za izlaz vazduha	Výfukové otvory	izlaz zraka
4.	perivi filter / otvor za ulaz vazduha	Odnímatelný, umývateľný filter, otvory pro sání	perivi filter / ulaz zraka
5.	rezervoar za vodu koja se vadi	Odnímatelná nádržka	spremnik za vodu
6.	točkovi	Kolečka	kotači
7.	prikjučni kabel	Napájecí kabel	napojni kabel
8.	odvodna cev	Odtoková trubička	odvodna cijev
9.	LED indikator ispod drške	LED kontrolky pod rukojetí	LED indikator ispod ručke za nošenje

EN

DEHUMIDIFIER

IMPORTANT SAFETY INSTRUCTIONS

READ THE INSTRUCTION MANUAL CAREFULLY BEFORE USE AND RETAIN IT FOR LATER REFERENCE!

WARNINGS

- Before using the product for the first time, please read the instructions for use below and retain them for later reference. The original instructions were written in the Hungarian language.
- This appliance may only be used by persons with impaired physical, sensory or mental capabilities, or lacking in experience or knowledge, as well as children from the age of 8, if they are under supervision or have been given instruction concerning use of the appliance by a person responsible for their safety and they have understood the hazards associated with use. Children should not be allowed to play with the unit. Children from the age of 8 may only clean or perform user maintenance on the appliance under supervision. Children below the age of 8 years should be kept away from the appliance, and its power cable. • **ATTENTION!** The device may be installed, used and stored in a room with a floor area of at least 4 m². • Make sure that the device has not been damaged during transport. • Use the device indoors, do not expose it to rain. • Do not use it to dry or keep dry food or works of art. • Place the appliance only onto a stable and horizontal surface. • Observe the minimum installation distances shown in Fig. 2. Observe the safety regulations in force in the respective country. • Do not place it near heater or stove, since the thermal radiation can damage the unit. • Do not use in locations where flammable vapors or explosive dust may be released. Do not use near flammable materials or in potentially explosive atmospheres. • It is **PROHIBITED** to use the unit near bathtubs, basins, showers, swimming pools or saunas. • As additional protection, all circuits in those premises which are containing bathtub or shower shall be protected with one or more residual current device (RCD) with a rated triggering current no higher than 30 mA. Ask for the assistance of an electrician. • It is prohibited to use the appliance in motor vehicles or in confined spaces (<5 m²) such as elevators). • The appliance must not be used with programmable timers, timer switches or stand-alone remote controlled systems that can automatically turn the unit on. • The appliance may only be connected to properly ground 230 V ~/50 Hz electric wall outlets. • Unwind the power cable completely. • Do not touch the unit or the power cable with wet hands. • Do not use extension cords or power distributors to connect the unit. • The appliance should be located so as to allow easy access and removal of the power plug. • Lead the power cable so as to prevent it from being pulled out accidentally or tripped over. • Do not lead the power cable under carpets, doormats etc. • Operate only under constant supervision. • Do not operate unattended in the presence of children. • Do not cover the air in- and outlets of the appliance. • Make sure that no foreign objects or liquid can enter the unit through the openings. • Collected water should be discarded, do not use it for any other purpose. • **Warning!** Avoid to splash water to the wall electric outlet. • If any irregular operation is detected (e.g. unusual noise or burnt odor from unit), immediately switch it off and remove the power plug. • Always remove plug from the power socket, if you leave it unattended, as well as before disassembling, assembling and cleaning. • If you are not planning to use the appliance, switch it off, then pull out its power cable. Store the appliance in a dry, cool place. • Hold the plug, not the power cable when you pull it out from the electric outlet. • Due to continuous improvements the design and specifications may change without any prior notice. • The actual instruction manual can be downloaded from www.somogyi.hu. • We do not take the responsibility for printing errors and apologize if there is any. • Private use permitted only, industrial is not.



Caution: Risk of electric shock!

Do not attempt to disassemble or modify the unit or its accessories. In case any part is damaged, immediately power off the unit and seek the assistance of a specialist.



In the event that the power cable should become damaged, it should only be replaced by the manufacturer, its service facility or similarly qualified personnel.



Warning! Risk of fire!

This symbol shows that this appliance uses a flammable refrigerant. If the refrigerant is leaked and exposed to an external ignition source, there is a risk of fire.



This symbol shows that the operation manual should be read carefully.



This symbol shows that a service personnel should be handling this equipment with reference to the installation manual



This symbol shows that information is available such as the operating manual or installation manual.



FURTHER WARNINGS FOR APPLIANCES FILLED WITH R290 REFRIGERATOR

Warnings

- Do not exceed impedance greater than 0.236 ohm in supply the appliance is connected to. Failure to comply may lead the supply authority to impose restrictions to connection. Please consult your energy supply authority if the use of equipment exceeds 0.236 ohm.
 - Any person who is involved with working on or breaking into a refrigerant a refrigerant circuit should hold a current valid certificate from an industry-accredited assessment authority. Which authorizes their competence to handle refrigerants safety in accordance with an industry recognized assessment specifications.
 - Remember the environment when disposing of packaging around the appliance and when the appliance has reached its by date.
 - A warning that the appliance shall be stored in a well-ventilated area where the size corresponds to the room area as specified for operation.
 - The appliance shall be stored so as to prevent mechanical damage from occurring.
 - A warning to keep any required ventilation openings clear of obstruction;
 - A notice that servicing shall be performed only as recommended by the manufacturer;
 - When the portable air conditioner or dehumidifier is turned on, the fan can work continuously stable under normal conditions to provide the minimum air volume of 100m³/h even when the compressor is closed due to the temperature controller.
 - Do not pierce or burn.
 - Use only implements recommended by the manufacturer for defrosting or cleaning
 - Do not perforate any of the components in the refrigerant circuit. Refrigerant gas may be odorless
 - Use care when storing the appliance to prevent mechanical faults.
 - Only persons authorized by an accredited agency certifying their competence to handle refrigerants in compliance with sector legislation should work on refrigerant circuit.
 - All repairs must be carried out in accordance with the manufacturer's recommendations.
 - Maintenance and repairs requiring the assistance of other qualified personnel must be carried out under the supervision of specialists in the use of inflammable refrigerants.
 - Do not perforate any of the components in the refrigerant circuit. Refrigerant gas may be odourless
- Additional warning for appliance with R290 refrigerant gas (refer to the rating plate for the type of refrigerant gas used)



**CAUTION ON FIRE
READ THE MAUAL CAREFULLY BEFORE
USING THE APPLIANCE**

R290 refrigerant gas complies with European environmental directives.

This appliance contains approximately 35 g of R290 refrigerant gas

Appliance shall be installed, operated and stored in a room with a floor area larger than 4 m².

Instruction, Repairing Appliances Containing R 290

1. Checking the area

Prior to beginning work on systems containing flammable refrigerants, safety checks are necessary to ensure that the risk of ignition is minimised. For repair to the refrigerating system, the following precaution shall be completed prior to conducting work on the system.

2. Work procedure

Work must be carried out according to a verified procedure so as to minimise the risk of a flammable gas or vapour being present while the work is being performed.

3. General work area

All maintenance staff and others working in the local area shall be instructed on the nature of work being carried out. Work in confined spaces shall be avoided.

4. Checking for presence of refrigerant

The area shall be checked with an appropriate refrigerant detector prior to and during work, to ensure the technician is aware of potentially toxic or flammable atmospheres. Ensure that the leak detection equipment being used is suitable for use with all applicable refrigerants, i.e. non-sparking, adequately sealed or intrinsically safe.

5. Presence of fire extinguisher

If any hot work is to be conducted on the refrigerating equipment or any associated parts, appropriate fire extinguishing equipment shall be available to hand. Have a dry powder or CO₂ fire extinguisher adjacent to the charging area.

6. No ignition sources

No person carrying out work in relation to a refrigerating system which involves exposing any pipe work shall use any sources of ignition, in such a manner that it may lead to the risk of fire or explosion. All possible ignition sources, including cigarette smoking, should be kept sufficiently far away from the site of installation, repairing, removing and disposal, during which refrigerant can possibly be released to the surrounding space. Prior to work taking place, the area around the equipment is to be surveyed to make sure that there are no flammable hazards or ignition risks. "No Smoking" signs shall be displayed.

7. Ventilated area

Ensure that the area is in outdoors or that it is adequately ventilated before breaking into the system or conducting any hot work. A degree of ventilation shall continue during the period that the work is carried out. The ventilation should safely disperse any released refrigerant and preferably expel it externally into the atmosphere.

8. Checks to the refrigerating equipment

Where electrical components are being changed, they shall be fit for the purpose and to the correct specification. At all times the manufacturer's maintenance and service guidelines shall be followed. If in doubt, consult the manufacturer's technical department for assistance.

The following checks shall be applied to installations using flammable refrigerants:

- the actual refrigerant charge is in accordance with the room size within which the refrigerant containing parts are installed;
- the ventilation machinery and outlets are operating adequately and are not obstructed;
- marking to the equipment continues to be visible and legible. Markings and signs that are illegible shall be corrected;
- refrigerating pipe or components are installed in a position where they are unlikely to be exposed to any substance which may corrode refrigerant containing components, unless the components are constructed of materials which are inherently resistant to being corroded or are suitably protected against being so corroded.

9. Checks to electrical devices

Repair and maintenance to electrical components shall include initial safety checks and component inspection procedures. If a fault exists that could compromise safety, then no electrical supply shall be connected to the circuit until it is satisfactorily dealt with. If the fault cannot be corrected immediately but it is necessary to continue operation, an adequate temporary solution shall be used. This shall be reported to the owner of the equipment so all parties are advised.

Initial safety checks shall include:

- that capacitors are discharged: this shall be done in a safe manner to avoid possibility of sparking;
- that no live electrical components and wiring are exposed while charging, recovering or purging the system;
- that there is continuity of earth bonding.

10. Repairs to sealed components

During repairs to sealed components, all electrical supplies shall be disconnected from the equipment being worked upon prior to any removal of sealed covers, etc. If it is absolutely necessary to have an electrical supply to equipment during servicing, then a permanently operating form of leak detection shall be located at the most critical point to warn of a potentially hazardous situation.

Particular attention shall be paid to the following to ensure that by working on electrical components, the casing is not altered in such a way that the level of protection is affected. This shall include damage to cables, excessive number of connections, terminals not made to original specification, damage to seals, incorrect fitting of glands, etc.

Ensure that the apparatus is mounted securely.

Ensure that seals or sealing materials have not degraded to the point that they no longer serve the purpose of preventing the ingress of flammable atmospheres. Replacement parts shall be in accordance with the manufacturer's specifications.

11. Repair to intrinsically safe components

Do not apply any permanent inductive or capacitance loads to the circuit without ensuring that this will not exceed the permissible voltage and current permitted for the equipment in use.

Intrinsically safe components are the only types that can be worked on while live in the presence of a flammable atmosphere. The test apparatus shall be at the correct rating.

Replace components only with parts specified by the manufacturer. Other parts may result in the ignition of refrigerant in the atmosphere from a leak.

12. Cabling

Check that cabling will not be subject to wear, corrosion, excessive pressure, vibration, sharp edges or any other adverse environmental effects. The check shall also take into account the effects of aging or continual vibration from sources such as compressors or fans.

13. Detection of flammable refrigerants

Under no circumstances shall potential sources of ignition be used in the searching for or detection of refrigerant leaks. A halide torch (or any other detector using a naked flame) shall not be used.

14. Removal and evacuation

When breaking into the refrigerant circuit to make repairs – or for any other purpose – conventional procedures shall be used. However, for flammable refrigerants it is important that best practice is followed since flammability is a consideration. The following procedure shall be adhered to:

- remove refrigerant;
- purge the circuit with inert gas;
- evacuate;
- purge with inert gas;
- open the circuit by cutting or brazing.

The refrigerant charge shall be recovered into the correct recovery cylinders. For appliances containing flammable refrigerants the system shall be purged with oxygen-free nitrogen to render the appliance safe for flammable refrigerants. This process may need to be repeated several times. Compressed air or oxygen shall not be used for purging refrigerant systems.

For appliances containing flammable refrigerants, refrigerants purging shall be achieved by breaking the vacuum in the system with oxygen-free nitrogen and continuing to fill until the working pressure is achieved, then venting to atmosphere, and finally pulling down to a vacuum. This process shall be repeated until no refrigerant is within the system. When the final oxygen-free nitrogen charge is used, the system shall be vented down to atmospheric pressure to enable work to take place. This operation is absolutely vital if brazing operations on the pipe-work are to take place.

Ensure that the outlet for the vacuum pump is not close to any potential ignition sources and that ventilation is available.

15. Charging procedures

In addition to conventional charging procedures, the following requirements shall be followed.

- Ensure that contamination of different refrigerants does not occur when using charging equipment. Hoses or lines shall be as short as possible to minimise the amount of refrigerant contained in them.
- Cylinders shall be kept in an appropriate position according to the instructions.
- Ensure that the refrigerating system is earthed prior to charging the system with refrigerant.
- Label the system when charging is complete (if not already).
- Extreme care shall be taken not to overfill the refrigerating system.

Prior to recharging the system, it shall be pressure-tested with the appropriate purging gas. The system shall be leak-tested on completion of charging but prior to commissioning. A follow up leak test shall be carried out prior to leaving the site.

16. Decommissioning

Before carrying out this procedure, it is essential that the technician is completely familiar with the equipment and all its detail. It is recommended good practice that all refrigerants are recovered safely. Prior to the task

being carried out, an oil and refrigerant sample shall be taken in case analysis is required prior to re-use of recovered refrigerant. It is essential that electrical power is available before the task is commenced.

- a) Become familiar with the equipment and its operation.
- b) Isolate system electrically.
- c) Before attempting the procedure, ensure that:
 - mechanical handling equipment is available, if required, for handling refrigerant cylinders;
 - all personal protective equipment is available and being used correctly;
 - the recovery process is supervised at all times by a competent person;
 - recovery equipment and cylinders conform to the appropriate standards.
- d) Pump down refrigerant system, if possible.
- e) If a vacuum is not possible, make a manifold so that refrigerant can be removed from various parts of the system.
- f) Make sure that cylinder is situated on the scales before recovery takes place.
- g) Start the recovery machine and operate it in accordance with instructions.
- h) Do not overfill cylinders (no more than 80 % volume liquid charge).
- i) Do not exceed the maximum working pressure of the cylinder, even temporarily.
- j) When the cylinders have been filled correctly and the process completed, make sure that the cylinders and the equipment are removed from site promptly and all isolation valves on the equipment are closed off.
- k) Recovered refrigerant shall not be charged into another refrigerating system, unless it has been cleaned and checked.

17. Labelling

Equipment shall be labelled stating that it has been de-commissioned and emptied of refrigerant. The label shall be dated and signed. For appliances containing flammable refrigerants, ensure that there are labels on the equipment stating the equipment contains flammable refrigerant.

18. Recovery

When removing refrigerant from a system, either for servicing or decommissioning, it is recommended good practice that all refrigerants are removed safely.

When transferring refrigerant into cylinders, ensure that only appropriate refrigerant recovery cylinders are employed. Ensure that the correct number of cylinders for holding the total system charge is available. All cylinders to be used are designated for the recovered refrigerant and labelled for that refrigerant (i.e. special cylinders for the recovery of refrigerant). Cylinders shall be complete with pressure-relief valve and associated shut-off valves in good working order. Empty recovery cylinders are evacuated and, if possible, cooled before recovery occurs.

The recovery equipment shall be in good working order with a set of instructions concerning the equipment that is at hand and shall be suitable for the recovery of all appropriate refrigerants including, when applicable, flammable refrigerants. In addition, a set of calibrated weighing scales shall be available and in good working order. Hoses shall be complete with leak-free disconnect couplings and in good condition. Before using the recovery machine, check that it is in satisfactory working order, has been properly maintained and that any associated electrical components are sealed to prevent ignition in the event of a refrigerant release. Consult manufacturer if in doubt.

The recovered refrigerant shall be returned to the refrigerant supplier in the correct recovery cylinder, and the relevant waste transfer note arranged. Do not mix refrigerants in recovery units and especially not in cylinders. If compressors or compressor oils are to be removed, ensure that they have been evacuated to an accept-

able level to make certain that flammable refrigerant does not remain within the lubricant. The evacuation process shall be carried out prior to returning the compressor to the suppliers. Only electric heating to the compressor body shall be employed to accelerate this process. When oil is drained from a system, it shall be carried out safely.

INSTALLATION

- Before installation, carefully remove packaging, and make sure not to damage the unit or the connecting cable. If you find any damage, the unit must not be operated.
- Keep the appliance on its wheels for one hour before switching it on for the first time.
- If you want to use the drain hose, connect it to the location shown in Figure 1. To do this, pull out the rubber plug on the back of the device.
- Plug the fully unwound power cord into a standard, ground wall outlet.
- Afterwards the unit is ready for use.

CLEANING, MAINTENANCE

To ensure optimum operation of the appliance, cleaning may be necessary depending on the degree of contamination, but at least once a month.

1. Before cleaning, switch off the appliance and disconnect it by unplugging the power plug.
2. Clean the air in- (4) and outlet (3) openings using a vacuum cleaner. You can remove the filter at the air inlet opening, than you can wash it in clean water. (Figure 4.) Only put a dry filter back in the appliance.
3. Clean the outside of the appliance with a slightly damp cloth. Do not use aggressive cleaning agents. Do not allow water to enter the inside of the appliance, and the electrical components.

TROUBLESHOOTING

Malfunction	Possible solution
The fan is operating, the compressor is not.	Check the operating mode and the set humidity.
The device has stopped operating.	Empty the water tank.
	Fit the water tank exactly into its place.
	The timer may have switched off the appliance.
The wind noise is loud.	Clean the air filter.
The appliance does not dehumidify properly.	Clean the air filter.
	The air inlets and outlets must not be covered.



DISPOSAL

Waste equipment must be collected and disposed separately from household waste because it may contain components hazardous to the environment or health. Used or waste equipment may be dropped off free of charge at the point of sale, or at any distributor which sells equipment of identical nature and function. Dispose of the product at a facility specializing in the collection of electronic waste. By doing so, you will protect the environment as well as the health of others and yourself. If you have any questions, contact the local waste management organization. We shall undertake the tasks pertinent to the manufacturer as prescribed in the relevant regulations and shall bear any associated costs arising.

H PÁRÁTLANÍTÓ

FONTOS BIZTONSÁGI UTASÍTÁSOK

OLVASSA EL FIGYELMESEN ÉS ŐRIZZE MEG A KÉSŐBBI FELHASZNÁLÁSHOZ!

FIGYELMEZTETÉSEK

- A termék használatba vétele előtt, kérjük olvassa el az alábbi használati utasítást és őrizze is meg. Az eredeti leírás magyar nyelven készült.
- Ezt a készüléket azok a személyek, akik csökkent fizikai, érzékelési vagy szellemi képességekkel rendelkeznek, vagy akiknek a tapasztalata és a tudása hiányzik, továbbá gyermekek 8 éves kortól csak abban az esetben használhatják, ha az felügyelet mellett történik, vagy a készülék biztonságos használatára vonatkozó útmutatást kapnak, és megértik a használatból eredő veszélyeket. Gyermekek nem játszhatnak a készülékkel. Gyermekek kizárólag 8 éves kortól, és csak felügyelet mellett végezhetik a készülék tisztítását vagy felhasználói karbantartását. A 8 évnél fiatalabb gyermekeket tartsa távol a készüléktől és annak hálózati csatlakozóvezetékétől!
- FIGYELEM! A készüléket beüzemelni, használni, tárolni legalább 4 m² alapterületű helyiségben szabad!
- Bizonyosodjon meg róla, hogy a készülék nem sérül meg a szállítás során! • A készüléket beltéren használja, ne tegye ki az eső hatásának. • Ne használja ételek, vagy művészeti alkotások szárítására, szárazon tartására!
- A készüléket kizárólag szilárd, vízszintes felületre helyezze! • Tartsa be a 2. ábrán feltüntetett minimális elhelyezési távolságokat! Vegye figyelembe a mindenkoriban országban érvényes biztonsági előírásokat! • Ne helyezze fűtőtest, kályha közelébe, mert a sugárzó hő károsíthatja a készüléket! • Tilos ott használni, ahol gyúlékony gőz vagy robbanásveszélyes por szabadulhat fel! Ne használja gyúlékony vagy robbanásveszélyes környezetben! • A készüléket TILOS fűrdőkád, mosdókagyló, zuhany, úszómedence vagy szauna közelében használni! • A további védelem érdekében a fűrdőkádat vagy zuhanyt tartalmazó helyiségben minden áramkört egy vagy több, legfeljebb 30 mA névleges kioldóáramú áram-védőkapcsolóval (RCD-vel) kell védeni! Kérje szakember segítségét! • Tilos a készüléket gépjárművekben vagy szűk (< 5 m²), zárt helyiségekben használni (pl. lift)! • A készüléket nem szabad olyan programkapcsolóval, időkapcsolóval vagy különálló távvezérelt rendszerekkel stb. együtt használni, amelyek önállóan bekapcsolhatják a készüléket. • Csak 230V~ / 50 Hz feszültségű földelt fali csatlakozójelzővel szabad csatlakoztatni! • A csatlakozókábel teljesen tekerje le! • A készüléket és a csatlakozókábel vizes kézzel soha ne érintse meg! • Ne használjon hosszabbítót vagy elosztót a készülék csatlakoztatásához! • A készüléket úgy helyezze el, hogy a csatlakozódugó könnyen hozzáférhető, kihúzható legyen! • Ugy vezesse a csatlakozókábel, hogy az véletlenül ne húzódhasson ki, illetve ne botolhasson meg benne senki! • Ne vezesse a csatlakozókábel szőnyeg, lábtörő, stb. alatt! • Csak folyamatos felügyelet mellett üzemeltethető! • Tilos gyermekek közelében felügyelet nélkül működtetni! • Ne takarja le a készülék levegő be- és kivezető nyílásait! • Ügyeljen arra, hogy a nyílásokon keresztül semmilyen tárgy vagy folyadék ne kerülhessen a készülékbe. • A készülékben összegyűlt vizet ki kell önteni, ne használja azt fel semmilyen célra! • Figyelem! Kerülje el, hogy víz fröccsenjen a konnektorra! • Ha bármilyen rendellenességet észlel (pl. szokatlan zajt hall a készülékből, vagy égett szagot érez) azonnal kapcsolja ki és áramtalanítsa! • Mindig húzza ki a konnektorból a készüléket, ha felügyelet nélkül hagyja, valamint össze-, szétszerelés és tisztítás előtt. • Ha hosszabb ideig nem használja, a készüléket kapcsolja ki, majd húzza ki a csatlakozókábel! A készüléket száraz, hűvös helyen tárolja! • A tápkábel ne a vezetéknel, hanem a csatlakozódugónál fogva húzza ki a konnektorból. • A folyamatos továbbfejlesztések miatt műszaki adat és a design előzetes bejelentés nélkül is változhat. • Az aktuális használati utasítás letölthető a www.somogyi.hu weboldalról. • Az esetleges nyomdahiábért felelősséget nem vállalunk, és elnézést kérünk. • Csak magáncélú felhasználás engedélyezett, ipari nem!



Áramütésveszély! Tilos a készülék vagy tartozékainak szétszerelése, átalakítása! Bármely rész megsérülése esetén azonnal áramtalanítsa és forduljon szakemberhez.



Ha a hálózati csatlakozóvezeték megsérül, akkor a cserét kizárólag a gyártó, annak javító szolgáltatója vagy hasonlóan szakképzett személy végezheti el!



Figyelem! Tűzveszély!

Ez a szimbólum jelzi, hogy a készülék gyúlékony hűtőközeget tartalmaz! Ha ez a hűtőközeg szivárog, és külső gyújtóforrással érintkezik, az tűzveszélyt okozhat!



Ez a szimbólum jelzi, hogy a használati utasítást figyelmesen végig kell olvasni!



Ez a szimbólum jelzi a szerviz szakembernek, hogy a készüléket kizárólag az üzembe helyezési utasítások szerint kezelje.



Ez a szimbólum jelzi, hogy mind a használati, mind az üzembe helyezési információk rendelkezésre állnak.



TOVÁBBI FIGYELMEZTETÉSEK R290 HŰTŐKÖZEGGEL TÖLTÖTT KÉSZÜLÉKEKHEZ

Beüzemelés előtt

A megrongálódás elkerülése érdekében helyezze a készüléket függőleges pozícióba legalább 24 órával a beüzemelés előtt. Bizonyosodjon meg róla, hogy a levegő ki-és bevezető nyílások soha nincsenek elzáródva. Csak vízszintes felületen működtesse a terméket, ezzel biztosítva, hogy sohase szívárognon víz belőle.

Figyelmeztetések

- A készülékhez csatlakoztatott áramforrás ellenállása soha ne lépje túl a 0,236 Ohm-ot. Amennyiben ennek nem tesz eleget az áramszolgáltató korlátozásokat vezethet be a csatlakozásra. Konzultáljon áramszolgáltatójával, ha a készülék használata meghaladja a 0,236 Ohm-ot.
- Bármely személynek, aki részt vesz a hűtőközegen, vagy a hűtőközeg áramkörén végzett munkában, vagy megbontja a rendszert, egy, az iparág által akkreditált értékelő hatóság által kiállított aktuális, és érvényes tanúsítvánnyal kell rendelkeznie.
- Gondoljon a környezetére, amikor a készülék csomagolását megsemmisíti, és amikor a készülék elérte élettartama végét.
- A készüléket csak jól szellőző helyen tárolja, aminek a mérete megegyezik a működtetésnél megadott minimális helyiségmérettel.
- A készüléket úgy tárolja, hogy az ne sérülhessen meg.
- Az összes szükséges szellőzőnyílást szabadon kell tartani.
- A szervizelést csak a gyártó ajánlása szerint szabad elvégezni.
- Ha a hordozható légkondicionáló, vagy páráltanító be van kapcsolva, a ventilátor folyamatosan, stabilan működik normál körülmények között, legyen képes minimum 100 m³/h légszállításra még akkor is, ha a kompresszor le van kapcsolva a hőmérséklet-szabályozó miatt.
- A készüléket ne szúrja meg, ne égesse meg.
- Csak a gyártó által ajánlott módszert és munkaeszközöket használja kiolvasztáshoz és tisztításhoz.
- A hűtőkör semelyik részét se lyukassza ki. A hűtőközeg lehet, hogy szagtalan.
- Figyelmeztetés: A tűz és áramütés kockázatának csökkentéséhez ne használja a készüléket félvezető típusú teljesítményszabályozóval!

További figyelmeztetések R290 hűtőgázt tartalmazó készülékekhez (ellenőrizze az adattáblát a használt gáztípus megállapításához)



FIGYELEM! TŰZVESZÉLY!
A TERMÉK HASZNÁLATA ELŐTT FIGYELMESEN OLVASSA EL A HASZNÁLATI UTASÍTÁST!

Az R290 hűtőgáz megfelel az európai környezetvédelmi irányelveknek. Ez a készülék körülbelül 35 g R290 hűtőgázt tartalmaz. A készülék telepítéséhez, üzemeltetéséhez, és tárolásához előírt helyiség alapterület nagyobb, mint 4 m².

Utasítások R290 gázt tartalmazó készülékek javításához

1. A terület ellenőrzése

A gyúlékony hűtőközeget tartalmazó rendszereken történő munka megkezdése előtt biztonsági ellenőrzések szükségesek, a gyulladás kockázatának minimalizálása érdekében. A hűtőrendszer javítása előtt az alábbi óvintézkedéseknek kell teljesülniük.

2. Munkafolyamat

A munkát ellenőrzött eljárás szerint kell végezni, hogy a munkavégzés alatt a gyúlékony gázok, és gőzök jelenlétének a kockázata minimális legyen.

3. Általános munkaterület

Minden karbantartó személyzet, és a helyszínen lévő egyéb munkát végző személy legyen tájékoztatva az elvégzendő munka természetéről. Kerülje a szűk térben történő munkavégzést.

4. Hűtőközeg jelenlétének ellenőrzése

A munka megkezdése előtt, közben, és után a területet ellenőrizni kell egy megfelelő hűtőközeg érzékelővel, hogy a technikus tisztában legyen az esetlegesen potenciálisan mérgező vagy gyúlékony légkörrel. Győződjön meg arról, hogy a használt szivárgásérzékelő berendezés alkalmas az összes alkalmazható hűtőközeggel, azaz szikramentes, megfelelően lezárt, vagy gyújtószikra-mentes.

5. Tűzoltó készülék jelenléte

Amennyiben a hűtőberendezésen, vagy annak bármely részén hőhatással járó munkát (pl. hegesztés) kell végezni, a megfelelő tűzoltó felszerelésnek mindig rendelkezésre kell állnia. Tartson egy száraz por, vagy CO₂ tűzoltó készüléket a töltési terület mellett.

6. Gyújtóforrások eltávolítása

Az személy, aki a hűtőrendszeren olyan munkát végez, ami a csőrendszer feltáráásával jár, nem használhat semmilyen olyan gyújtóforrást mely tűz vagy robbanásveszélyes helyzethez vezethet.

Minden potenciális gyújtóforrást, beleértve a cigarettázást is csak megfelelő távolságban szabad végezni a telepítés, javítás, eltávolítás, ártalmatlanítás helyszínétől, mivel ezek alatt hűtőközeg juthat a környező területre. A munka megkezdése előtt mérje fel a készülék környezetét, és bizonyosodjon meg róla, hogy nincsenek tűz-, vagy gyulladási veszélyek. „Tilos a dohányzás” tábla elhelyezéséről gondoskodni kell.

7. Szellőztetett terület

Biztosítsa, hogy a terület a szabadban van és megfelelő mértékben szellőztetett, mielőtt felnyitja a rendszert, vagy bármilyen munkát végez rajta. Egy bizonyos szintű szellőztetést biztosítani kell a munkavégzés ideje alatt is. A szellőztetés biztonságosan szétoszlatja a kibocsátott hűtőközeget, és lehetőleg kijuttatja a szabadba.

8. A hűtőberendezés ellenőrzése

Az elektromos alkatrészek cseréjekor azoknak meg kell felelniük a célnak és a vonatkozó előírásoknak. A gyártó karbantartási és szervizelési útmutatásait minden esetben követni kell. Kétség esetén forduljon segítségért a gyártó műszaki osztályához. A gyűlékony hűtőközegeket használó berendezéseknél a következő ellenőrzéseket kell elvégezni:

- A tényleges hűtőközeg töltet megfelel a helyiség méretének.
- A szellőztető gépek és kimenetek megfelelően működnek és nincsenek blokkolva.
- A berendezés jelölései legyenek folyamatosan láthatóak és olvashatóak. Az olvashatatlan jelöléseket és jeleket ki kell javítani.
- A hűtőcsövet vagy az alkatrészeket olyan pozícióban kell összeszerelni, amiben valószínűleg nem lesznek kitéve olyan anyagnak, amely korrodálhatja a hűtőközeget tartalmazó alkatrészeket, kivéve, ha az alkatrészeket olyan anyagokból gyártják, amelyek eredendően ellenállnak a korrodálódásnak, vagy amelyek megfelelően védettek a korrodálódás ellen.

9. Elektromos készülékek ellenőrzése

Az elektromos alkatrészek javításának és karbantartásának tartalmaznia kell kezdeti biztonsági lépéseket, és alkatrész ellenőrzési lépéseket. Ha létezik olyan hiba, amely veszélyeztetheti a biztonságot, akkor nem szabad áramot csatlakoztatni az áramkörhöz, amíg az megfelelő módon javítva nem lett. Ha a hibát nem lehet azonnal kijavítani, de szükséges a művelet folytatása, akkor megfelelő ideiglenes megoldást kell használni. Erről értesíteni kell a berendezés tulajdonosát, hogy minden fél tudatában legyen a módosításnak.

A kezdeti biztonsági lépések tartalmazzák:

- kondenzátorok kisütése: biztonságosan kell elvégezni a szikraképződés lehetőségének elkerülésével
- rendszer töltése, helyreállítása, vagy tisztítása közben semmilyen feszültség alatt lévő alkatrész, vagy vezeték nincs szabadon

10. Zárt alkatrészek javítása

Zárt alkatrészek javításánál, még a lezárt burkolat, stb. eltávolítása előtt az összes elektromos tápegységet le kell választani a javítandó készülékről. Ha feltétlenül szükséges, hogy a berendezés tápfeszültséget kapjon a javítás során, akkor egy folyamatosan működő szivárgásészlelő módszert kell a legkritikusabb pontnál alkalmazni, hogy a potenciálisan veszélyes helyzetek mielőbb észlelhetőek legyenek.

Különös figyelmet szentelve annak, hogy az alkatrészeken történő munka során, a készülék háza ne változzon meg olyan mértékben, hogy az a védelem szintjére hatással legyen. Ez magában foglalja a vezetékek sérülését, túlzott csatlakozószámot, az eredeti előírásoknak nem megfelelő sorkapcsokat, tömítések sérülését, stb.

Ellenőrizze, hogy a készülék megfelelően van-e felszerelve.

Bizonyosodjon meg róla, hogy a tömítések, tömítőanyagok nem öregedtek-e el annyira, hogy már nem alkalmazhatóak a gyűlékony légkör kialakulásának megakadályozására. A cserealkatrészeknek meg kell felelniük a gyártó előírásainak.

11. Gyűjtőszikra-mentes alkatrészek javítása

Ne kapcsoljon állandó induktív vagy kapacitív terhelést az áramkörre anélkül, hogy megbizonyosodott arról, hogy az nem haladja meg a használt berendezés megengedett feszültségét és áramát.

Gyűlékony légkör jelenlétében kizárólag gyűjtőszikra-mentes alkatrészeken lehet úgy dolgozni, hogy azok feszültség alatt vannak. A vizsgálóberendezésnek a megfelelő minősítéssel kell rendelkeznie.

Az alkatrészeket csak a gyártó által meghatározott alkatrészekre cserélje ki. Más alkatrészek szivárgás miatt a légkörben lévő hűtőközeg meggyulladásához vezethetnek.

12. Kábelezés

Ellenőrizze, hogy a kábelezés ne legyen kitéve kopásnak, korróziónak, túlzott nyomásnak, rezgésnek, éles széleknek, vagy más káros környezeti hatásoknak. Az ellenőrzésnek figyelembe kell vennie az előregedést vagy az olyan folyamatos rezgés forrásokat is, mint például a kompresszorok vagy ventilátorok.

13. Tűzveszélyes hűtőközegek érzékelése

A hűtőközeg-szivárgások keresésekor vagy észlelésekor semmilyen körülmények között nem szabad potenciális gyújtóforrást használni. Halid fáklya (vagy bármilyen nyílt lángot használó érzékelő) használata tilos.

14. Kiürítés

A hűtőkörbe történő behatolás javítási, vagy bármilyen más célból a hagyományos eljárások alkalmazásával történhet. A tűzveszélyes hűtőközegek esetében azonban fontos a bevált gyakorlat betartása, mivel itt már a gyúlékonyság is szempont. A következő folyamatot be kell tartani:

- távolítsa el a hűtőközeget;
- inert gázzal tisztítsa meg az áramkört;
- ürítse ki;
- inert gázzal öblítse át;
- nyissa meg a hűtőkört vágással vagy keményforrasztással.

A hűtőközeget a megfelelő palackokba kell visszanyerni. A gyúlékony hűtőközeget tartalmazó készülékeknél a rendszert át kell öblíteni oxigénmentes nitrogénnel, hogy a készülék biztonságossá váljon a gyúlékony hűtőközeg számára. Ezt a folyamatot lehet, hogy többször is meg kell ismételni. A hűtőrendszerek átöblítéséhez ne használjon sűrített levegőt, vagy oxigént.

Tűzveszélyes hűtőközegeket tartalmazó készülékeknél a hűtőközegek átöblítését úgy kell elvégezni, hogy a rendszerben lévő vákuumot oxigénmentes nitrogénnel megbontják, és az üzemi nyomás eléréséig folytatják a feltöltést vele, majd kiszellőztetik a légkörbe, végül levákuumozzák.

Ezt a folyamatot addig kell ismételni, amíg nem marad hűtőközeg a rendszerben. Amikor az utolsó oxigénmentes nitrogén töltés történik, a rendszert légköri nyomás alá kell helyezni, hogy megkezdődhessenek rajta a munkálatok. Ez a művelet elengedhetetlen a csővezeték keményforrasztási műveleteinek végrehajtása előtt. Győződjön meg arról, hogy a vákuumszivattyú kimenete nincs közel a potenciális gyújtóforrásokhoz, és hogy a szellőzés megfelelő.

15. Feltöltési folyamatok

A hagyományos töltési eljárásokon túl, az alábbi követelményeknek kell megfelelni.

- Ügyeljen arra, hogy a készülék töltése közben az nem szennyeződik különböző hűtőközegekkel. A tömlőknek vagy vezetéknek a lehető legrövidebbeknek kell lenniük, hogy minimalizálják a bennük lévő hűtőközeg mennyiségét.
- A palackokat megfelelő helyzetben kell tartani, az utasításoknak megfelelően.
- A hűtőközeggel való feltöltés előtt ellenőrizze, hogy a hűtőrendszer földelt-e.
- Jelölje meg a rendszert, amikor a töltés befejeződött (ha még nem tette meg).
- Különös figyelmet kell fordítani arra, hogy a hűtőrendszer ne legyen túltöltve.

A rendszer újratöltése előtt ellenőrizni kell a nyomást a megfelelő öblítőgázzal. A töltés befejezésekor, de még az üzembe helyezés előtt a rendszert szivárgásvizsgálattal ellenőrizni kell.

A helyszín elhagyása előtt egy további szivárgásvizsgálatot kell elvégezni.

16. Üzemen kívül helyezés

Mielőtt elvégezzük ezt az eljárást, elengedhetetlen, hogy a szakember teljes mértékben ismerje a berendezést és annak minden részletét. Ajánlott jó gyakorlat, hogy minden hűtőközege biztonságosan vissza kell nyerni. A feladat elvégzése előtt olaj- és hűtőközeg-mintát kell venni, amennyiben elemzésre van szükség a visszanyert hűtőközeg újbóli felhasználása előtt. Fontos, hogy a helyszínen a feladat megkezdése előtt villamos áram álljon rendelkezésre.

a) Ismerkedjen meg a berendezéssel és annak működésével.

b) Válassza le a rendszert elektromosan.

c) Az eljárás megkezdése előtt ellenőrizze, hogy:

- mechanikus kezelőeszközök rendelkezésre állnak a hűtőközeg tároló palackokhoz, amennyiben szükséges
- minden személyes védőfelszerelés rendelkezésre áll, és helyesen használják
- a visszanyerési folyamatot mindig felügyelje egy hozzá értő személy
- a visszanyerő berendezések és a palackok megfelelnek a vonatkozó szabványoknak

d) Szivattyúzza le a hűtőrendszert, ha lehetséges.

e) Ha a vákuumozás nem lehetséges, készítsen egy elosztócsövet, hogy a hűtőközeg eltávolítható legyen a rendszer különböző részeiből.

f) A visszanyerés előtt ellenőrizze, hogy a palack a mérlegen van-e.

g) Indítsa el a visszanyeréshez használt gépet, és működtesse, az utasításoknak megfelelően.

h) Ne töltse túl a palackokat (legfeljebb 80%-os térfogat folyadék töltöttség lehet).

i) Még átmenetileg se lépje túl a palack maximális megengedett üzemi nyomását.

j) Miután a palackok megfelelően fel lettek töltve, és a folyamat befejeződött, haladéktalanul távolítsa el a palackokat és a helyszínről, és ellenőrizze, hogy a berendezés összes elzáró szelepe zárva van.

k) A visszanyert hűtőközeget csak azután szabad másik hűtőrendszerbe tölteni, ha azt megtisztították és ellenőrizték.

17. Címkézés

A berendezésen fel kell tüntetni, hogy üzemen kívül helyezték, és a hűtőközeget kiürítették belőle. A címkét el kell látni dátummal és aláírással. Tűzveszélyes hűtőközegeket tartalmazó berendezésnél ügyeljen arra, hogy a készüléken lévő címke tartalmazza, hogy a berendezés gyűlékony hűtőközeget tartalmaz.

18. Visszanyerés

Amikor eltávolítja a hűtőközeget a rendszerből, szervizelési vagy üzemen kívül helyezési céllal, ajánlott és gyakorlatias megoldás az összes hűtőközeg biztonságos eltávolítása.

A hűtőközeg palackokba történő áthelyezésekor ügyeljen arra, hogy csak megfelelő hűtőközeg visszanyerő palackokat használjon. Győződjön meg arról, hogy rendelkezésre áll-e megfelelő számú palack a teljes rendszer töltéséhez. Minden felhasználandó palack a visszanyerendő hűtőközeg számára van kijelölve és címkézve (azaz a hűtőközeg visszanyerésére használt speciális palackok). A palackok megfelelő, és működőképes nyomáscsökkentő szeleppel és a hozzá kapcsolódó elzáró szelepekkel rendelkeznek.

A visszanyerő berendezésnek jól működő állapotban kell lennie, a hozzá tartozó utasításoknak rendelkezésre kell állniuk, valamint alkalmasnak kell lennie az összes megfelelő hűtőközeg visszanyerésére, beleértve adott esetben a gyűlékony hűtőközegeket is. Ezen felül egy szett, jól működő és kalibrált mérlegnek is rendelkezésre kell állnia. A tömlőknek jól állapotúaknak és szivárgásmentes leválasztó csatlakozókkal ellátottnak kell lenniük.

A visszanyerésre használt gép használata előtt ellenőrizze, hogy üzemképes-e, megfelelően karbantartották és minden kapcsolódó elektromos alkatrészt lezártak, hogy hűtőközeg kibocsátása esetén meg legyen gátolva az esetleges gyulladás. Kétség esetén, vegye fel a kapcsolatot a gyártóval.

A visszanyert hűtőközeget vissza kell juttatni a hűtőközeg-szállítóhoz a megfelelő visszanyerő palackban, a vonatkozó hulladékszállítási jegyzékkel együtt. Ne keverje a hűtőközegeket a visszanyerő egységekben, és különösen ne a palackokban.

Ha a kompresszorokat vagy kompresszorolajokat el kell távolítani, előtte ellenőrizze, hogy elfogadható szinten kiürítésre került, hogy megbizonyosodhasson arról, hogy a tűzveszélyes hűtőközeg nem maradt a kenőanyagban. Az ürítési folyamatot el kell végezni a kompresszor beszállítókhoz történő visszaküldése előtt. A folyamat

felgyorsításához a kompresszor testét csak elektromos úton lehet melegíteni. Az olaj leengedése a rendszerből mindig biztonságos módon történjen.

ÜZEMBE HELYEZÉS

- Üzembe helyezés előtt óvatosan távolítsa el a csomagolóanyagot, nehogy megsértse a készüléket vagy a csatlakozóvezetékét. Bármilyen sérülés esetén tilos üzembe helyezni!
- Az első bekapcsolás előtt egy órán keresztül a kerekeire állítva tartsa a készüléket!
- Ha a vízvezető csövet szeretné használni, akkor csatlakoztassa az **1. ábrán** látható helyre. Ehhez a készülék hátoldalán a gumidugót ki kell húzni.
- Csatlakoztassa a teljesen letekert hálózati csatlakozókábelt egy szabványos, földelt fali aljzatba.
- Ezzel a készülék üzemkész.

TISZTÍTÁS, KARBANTARTÁS

A készülék optimális működése érdekében a szennyeződés mértékétől függő gyakorisággal, de legalább havonta egyszer szükséges lehet a készülék tisztítása.

1. Tisztítás előtt kapcsolja ki a készüléket, majd áramtalanítsa a csatlakozódugó kihúzásával!
2. A levegő be- (4) és kivezető (3) nyílásokat porszívóval tisztítsa meg! A levegő bevezető nyílásnál ki tudja venni a szűrőt, majd tiszta vízben kimoshatja. (**4. ábra**) Csak száraz szűrőt tegyen vissza a készülékbe.
3. Enyhén nedves ruhával tisztítsa meg a készülék külsejét. Ne használjon agresszív tisztítószeret! A készülék belsejébe, az elektromos alkatrészekre nem kerülhet víz!

HIBAEHÁRÍTÁS

Hibajelenség	A hiba lehetséges megoldása
a ventilátor üzemel, de a kompresszor nem	ellenőrizze az üzemmódot és a beállított páratartalmat
a készülék működése leállt	ürítse ki a víztartályt
	pontosan illessze a helyére a víztartályt
	lehet, hogy az időzítő kapcsolta ki a készüléket
nagyon erős a szélzaj	tisztítsa meg a levegőszűrőt
a készülék nem páratlanít megfelelően	tisztítsa meg a levegőszűrőt
	a levegő be és kivezető nyílások ne legyenek letakarva



ÁRTALMATLANÍTÁS

A hulladékká vált berendezést elkülönítetten gyűjtse, ne dobja a háztartási hulladékba, mert az a környezetre vagy az emberi egészségre veszélyes összetevőket is tartalmazhat! A használt vagy hulladékká vált berendezés térítésmentesen átadható a forgalmazás helyén, illetve valamennyi forgalmazónál, amely a berendezéssel jellegében és funkciójában azonos berendezést értékesít. Elhelyezheti elektronikai hulladék átvételére szakosodott hulladékgyűjtő helyen is. Ezzel Ön védi a környezetet, embertársai és a saját egészségét. Kérdés esetén keresse a helyi hulladékkezelő szervezetet. A vonatkozó jogszabályban előírt, a gyártóra vonatkozó feladatokat vállaljuk, az azokkal kapcsolatban felmerülő költségeket viseljük. Tájékoztatás a hulladékkezelésről: www.somogyi.hu

DÔLEŽITÉ BEZPEČNOSTNÉ UPOZORNENIA

POZORNE SI PREČÍTAJTE TENTO NÁVOD NA OBSLUHU A USCHOVAJTE HO PRE BUDÚCE POUŽITIE!

UPOZORNENIA

- Pred použitím si pozorne prečítajte tento návod na použitie a uschovajte ho. Tento návod je preklad originálneho návodu.
- Spotrebič nie je určený na používanie osobami so zníženými fyzickými, zmyslovými alebo mentálnymi schopnosťami, alebo s nedostatkom skúseností a vedomostí, vrátane detí od 8 rokov, používať ho môžu len pokiaľ im osoba zodpovedá za ich bezpečnosť, poskytuje dohľad alebo ich poučí o používaní spotrebiča a pochopia nebezpečenstvá pri používaní výrobku. Deti by mali byť pod dohľadom, aby sa so spotrebičom nehrali. Čistenie alebo údržbu výrobku môžu vykonať deti staršie ako 8 rokov len pod dohľadom. Spotrebič a jeho sieťový pripojovací kábel držte mimo dosahu detí mladších ako 8 rokov!
- **POZOR!** Prístroj sa môže prevádzkovať, používať, skladovať v miestnosti s rozlohou aspoň 4 m²!
- Skontrolujte, či sa prístroj počas prepravy nepoškodil!
- Len na vnútorné použitie, nevystavujte dažďu.
- Nepoužívajte na sušenie potravín alebo umeleckých dielov!
- Spotrebič umiestnite výlučne na pevnú, vodorovnú plochu!
- Dodržiavajte minimálne vzdialenosti uvedené na 2. obrázku! Berte ohľad na bezpečnostné pokyny, ktoré môžu byť daným štátom špecifické!
- Neumiestnite do blízkosti vykurovacieho zariadenia, lebo sálajúce teplo môže poškodiť prístroj!
- Prístroj nepoužívajte v priestoroch, kde môže vzniknúť nebezpečenstvo úniku horľavých výparov alebo výbušného prachu!
- Nepoužívajte v priestoroch, kde môže vzniknúť nebezpečenstvo požiaru alebo výbuchu!
- Je **ZAKÁZANÉ** používať prístroj v blízkosti vane, umývadla, sprchy, bazénu alebo sauny!
- Pre zabezpečenie doplnkovej ochrany sa odporúča nainštalovať do elektrického okruhu prúdový chránič (RCD) s menovitým vybavovacím prúdom neprevyšujúcim 30 mA! Obráťte sa na odborníka!
- Prístroj nepoužívajte v motorových vozidlách alebo v úzkych, uzavretých priestoroch (< 5 m², napr. výťah)!
- Prístroj je zakázané používať spolu s takým programovým, časovým spínačom alebo samostatným systémom na diaľkové ovládanie, atď., ktorý môže samostatne zapnúť prístroj.
- Pripojte len do uzemnenej zásuvky s napätím 230 V ~ / 50 Hz!
- Pripojovací kábel rozmotajte po jeho celej dĺžke!
- Prístroja a pripojovacieho kábla sa nikdy nedotýkajte mokrou rukou!
- Pri pripojení prístroja do elektrickej siete nepoužívajte predlžovací prívod alebo rozbočovač!
- Prístroj umiestnite tak, aby bol zabezpečený jednoduchý prístup k zástrčke a aby bolo možné napájací kábel kedykoľvek jednoducho vytiahnuť!
- Dbajte na umiestnenie pripojovacieho kábla, aby sa náhodou nevytiahol zo siete alebo aby sa o kábel nikto nepotkol!
- Pripojovací kábel nevedzte popod koberec, rohožku, atď.!
- Prístroj prevádzkujte len pod stálym dozorom!
- Neprevádzkujte v blízkosti detí bez dozoru!
- Nezakrývajte otvory vývodu a prívodu vzduchu!
- Dbajte na to, aby sa cez otvory nedostal do zariadenia žiadny predmet alebo tekutina.
- Nahromadenú vodu v prístroji vylejte, nepoužívajte na žiadny iný účel!
- Pozor! Dbajte na to, aby voda nevystrekla na konektor!
- Ak počas používania zistíte akúkoľvek poruchu (napr. zvýšený hluk alebo cítite zvláštny zápach), okamžite vypnite prístroj a odpojte ho od elektrickej siete!
- Prístroj vždy vytiahnite zo zásuvky, keď ho necháte bez dozoru, resp. pred zmontovaním, rozmontovaním a čistením.
- Keď prístroj dlhší čas nepoužívate, vypnite ho a vytiahnite pripojovací kábel!
- Spotrebič skladujte na suchom, chladnom mieste!
- Pri odpojení zo sieťovej zásuvky neťahajte napájací kábel, vytiahnite pripojovacia vidlica.
- Výrobca si vyhradzuje právo zmeniť technické parametre a design výrobku kedykoľvek bez predchádzajúceho upozornenia.
- Aktuálny návod na použitie si môžete stiahnuť z webovej stránky www.somogyi.sk.
- Za prípadné chyby v tlači nezodpovedáme a ospravedľujeme sa za ne.
- Len na domáce účely, priemyselné použitie je zakázané!



Nebezpečenstvo úrazu prúdom! Rozoberať, prerábať prístroj alebo jeho súčasť je prísne zakázané! V prípade akéhokoľvek poškodenia prístroja alebo jeho súčasti okamžite ho odpojte od elektrickej siete a obráťte sa na odborný servis!



Ak sa poškodí pripojovací kábel, výmenu zverte výlučne výrobcovi, splnomocnenej osobe výrobcu, alebo inému odborníkovi!



Pozor! Nebezpečenstvo požiaru!

Prístroj obsahuje horľavé chladiace médium! Keď toto chladiace médium uniká a príde do kontaktu s externým zdrojom vznietenia, môže spôsobiť požiar!



Pred uvedením do prevádzky si pozorne prečítajte návod na použitie!



Upozornenie pre servisného odborníka, že prístroj má byť uvedený do prevádzky výlučne podľa pokynov návodu na použitie.



Sú k dispozícii návod na použitie aj informácie o uvedení do prevádzky.



ĎALŠIE UPOZORNENIA PRE PRÍSTROJE PLNENÉ CHLADIACIM MÉDIOM R290

Pred uvedením do prevádzky

V záujme vyhnúť sa poškodeniu prístroj postavte do zvislej polohy aspoň 24 h pred uvedením do prevádzky. Skontrolujte voľný prístup otvorov pre vstup a výstup vzduchu. Prístroj umiestnite na vodorovnú plochu, týmto zabezpečíte, aby z neho nikdy nevychádzala voda.

Upozornenia

- K prístroju pripojený zdroj elektrickej energie nemôže prekročiť odpor 0,236 Ohm. Keď túto podmienku nespĺňa, poskytovateľ elektrickej energie môže zaviesť obmedzenia pre pripojenie. Konzultujte s poskytovateľom elektrickej energie, keď používanie prístroja prekročí 0,236 Ohm.
- Každá osoba, ktorá sa zúčastní na prácach s chladičom alebo na prácach na elektrickom obvode s chladičom, alebo poruší systém, musí disponovať s aktuálnym a platným certifikátom, ktorý vydal hodnotiaci úrad akreditovaný daným odvetvím.
- Myslite na životné prostredie, keď likvidujete balenie prístroja alebo na konci životnosti výrobku.
- Prístroj skladujte iba v dobre vetranej miestnosti s minimálnou rozlohou podľa návodu na použitie.
- Prístroj skladujte tak, aby sa nepoškodil.
- Dbajte na to, aby ste všetky vetracie otvory nechali voľné.
- Servis vykonajte iba podľa odporúčaní výrobcu.
- Keď je zapnutá mobilná klimatizácia alebo odvlhčovač, ventilátor priebežne, stabilne funguje pri normálnych podmienkach, má mať minimálny prietok vzduchu 100m³/h aj vtedy, keď kompresor je vypnutý kvôli regulátoru teploty.
- Prístroj neprepichnite, nepopáľte.
- Na vytavenie a čistenie používajte iba výrobcom odporúčané metódy a pracovné prostriedky.
- Neprepichnite žiadnu časť chladiaceho okruhu. Chladiace médium môže byť bez zápachu.
- Upozornenie: Pre zníženie rizika vzniku požiaru a úrazu elektrickým prúdom nepoužívajte prístroj pomocou polovodičového regulátora výkonu!

Ďalšie upozornenia pre prístroje obsahujúce chladiaci plyn R290 (skontrolujte tabuľku údajov pre určenie typu plynu)



**POZOR! NEBEZPEČENSTVO POŽIARU!
PRED POUŽITÍM VÝROBKU POZORNE PREČÍ-
TAJTE NÁVOD NA POUŽITIE!**

Chladiaci plyn R290 vyhovuje európskym smerniciam o ochrane životného prostredia. Tento prístroj obsahuje približne 35g chladiava R290. Pre inštaláciu, prevádzku a skladovanie prístroja predpísaná rozloha miestnosti je viac ako 4 m².

Pokyny na opravu prístrojov obsahujúcich plyn R290

1. Kontrola priestoru

Pred začiatkom práce na systéme, ktorý obsahuje horľavé chladiivo, je potrebné vykonať bezpečnostné kontroly, aby sa minimalizovalo riziko vznietenia. Pri opravách chladiaceho systému je pred vykonaním prác na systéme potrebné urobiť nasledujúce preventívne opatrenia.

2. Pracovný postup

Práce sa budú vykonávať podľa kontrolovaného postupu, aby sa minimalizovalo riziko prítomnosti horľavého plynu alebo výparov pri vykonaní prác.

3. Celkový pracovný priestor

Všetci pracovníci údržby a ostatní, ktorí pracujú v okolí, musia byť informovaní o charaktere vykonaných prác. Vyhýbajte sa práci v obmedzených priestoroch.

4. Kontrola prítomnosti chladiava

Oblasť sa musí kontrolovať vhodným detektorom chladiava pred prácou i počas nej, aby si technici boli vedomí potenciálne výbušnej atmosféry. Dbajte, aby zariadenie na detekciu únikov bolo vhodné pre použitie s horľavými chladiivami, t.j. aby neiskrilo a bolo správne utesnené alebo aby bolo iskrovo bezpečné.

5. Prítomnosť hasiaceho zariadenia

Ak sa na chladiacom zariadení alebo súvisiacich častiach majú vykonávať práce za horúca (napr. zváranie), musí byť poruke hasiaci prístroj. V oblasti plnenia musíte mať práškový alebo penový hasiaci prístroj s CO₂.

6. Žiadne zdroje vznietenia

Žiadna osoba vykonávajúca práce v súvislosti s chladiacim systémom, pri ktorých dochádza k otvoreniu potrubia, ktoré obsahuje alebo obsahovalo horľavé chladiivo, nesmie používať zdroje vznietenia takým spôsobom, ktorý by viedol k riziku vzniku požiaru alebo výbuchu.

Všetky možné zdroje vznietenia vrátane fajčenia cigariet by mali byť v dostatočnej vzdialenosti od miesta inštalácie, opráv, odstraňovania a likvidácie, počas ktorých by horľavé chladiivo mohlo uniknúť do okolitého priestoru. Pred vykonaním prác treba okolie zariadenia skontrolovať, aby sa vylúčili riziká vzniku požiaru a vznietenia. Je potrebné umiestniť tam upozornenia „Fajčiť zakázané!“

7. Vetraná oblasť

Pred vzniknutím do systému alebo vykonávaním prác za horúca dbajte, aby bola oblasť otvorená ale primerane vetraná. Vetrание je nutné počas celej doby vykonávania prác. Vetrание by malo bezpečne rozptýliť uvoľnené chladiivo, najlepšie von do vzduchu.

8. Kontroly chladiaceho zariadenia

Vymieňané elektrické komponenty musia byť vhodné na daný účel a podľa správnych špecifikácií. Za každých

okolností treba dodržiavať pokyny výrobcu pre údržbu a servis. V prípade pochybností sa obráťte o pomoc na technické oddelenie výrobcu. Pre inštalácie s horľavým chladivom sú potrebné nasledujúce kontroly:

- Aktuálne množstvo náplne je podľa veľkosti miestnosti, v ktorej sú nainštalované časti obsahujúce chladivo.
- Vetracia mechanika a výstupné otvory pracujú správne a nie sú zablokované.
- Označenie zariadenia musí byť stále viditeľné a čitateľné. Nečitateľné označenia a nápisy musia byť opravené.
- Chladiace potrubie alebo komponenty sú nainštalované v polohe, kde nie je pravdepodobné, že by boli vystavené látkam, ktoré by mohli spôsobiť koróziu komponentov obsahujúcich chladivo, pokiaľ tieto komponenty nie sú vyrobené z materiálov odolných voči korózii alebo vhodne chránené pred koróziou.

9. Kontroly elektrických zariadení

V rámci opravy a údržby elektrických komponentov sa musia vykonať úvodné bezpečnostné kontroly a dodržiavať postupy kontroly komponentov. Ak sa zistí chyba, ktorá by mohla ohroziť bezpečnosť, potom do obvodu nesmie byť pripojený prívod elektriny, kým sa chyba uspokojivo neodstráni. Ak chybu nemožno odstrániť okamžite, ale je potrebné v prevádzke pokračovať, treba použiť vhodné dočasné riešenie. Musí sa to nahlásiť majiteľovi zariadenia, aby boli informované všetky strany.

Úvodné bezpečnostné kontroly budú zahŕňať:

- Kontrolu, či sú kondenzátory vybité: treba to urobiť bezpečnostným spôsobom, aby sa zabránilo iskreniu
- Kontrolu, či elektrické komponenty nie sú pod prúdom a vodiče pri napíňaní, regenerácii alebo čistení systému nie sú odhalené

10. Opravy utesnených komponentov

Počas opravy utesnených komponentov musia byť všetky prívody elektriny do zariadenia, na ktorom sa pracuje, odpojené pred odstránením uzavretého elektrického prívodu od zariadenia počas servisných prác, potom je potrebné umiestniť trvale fungujúcu formu detekcie úniku na najkritickejšie miesto, aby upozornila na potenciálne nebezpečnú situáciu.

Zvláštnu pozornosť treba venovať nasledujúcim bodom, aby pri práci na tiež elektrických komponentoch puzdro nebolo zmenené tak, že to ovplyvní úroveň ochrany. To zahŕňa poškodenie káblov, nadmerný počet pripojení, svorky, ktoré nie sú podľa pôvodnej špecifikácie, poškodenie tesnení, nesprávne nasadenie priechodiek a pod.

Dbajte, aby bolo zariadenie pripevnené bezpečne.

Dbajte, aby tesnenia alebo tesniaci materiál neboli opotrebované, takže by už neslúžili svojmu účelu a nezabránili úniku horľavej atmosféry. Náhradné diely musia byť v súlade so špecifikáciami výrobcu.

11. Oprava iskrovo bezpečných komponentov

Nevystavujte okruh indukčnej alebo kapacitnej záťaži, kým sa nepresvedčíte, že neprekročí napätie a prúd povolené pre používané zariadenie.

Iskrovo bezpečné komponenty sú jediný typ, s ktorými možno pracovať v prítomnosti horľavej atmosféry, keď sú pod prúdom. Skúšobný prístroj musí mať správne hodnoty. Komponenty nahrádzajte iba súčiastkami podľa špecifikácií výrobcu. Iné súčiastky by mohli spôsobiť vznietenie chladiacej atmosféry z úniku.

12. Kabeláž

Skontrolujte, či káble nie sú opotrebované, skorodované, vystavené nadmernému tlaku, vibráciám, ostrým hranám alebo iným nepriaznivým vplyvom prostredia. Kontroly musia brať do úvahy aj účinky starnutia alebo nepretržitých vibrácií zo zdrojov, ako sú kompresory alebo ventilátory.

13. Detekcia horľavých chladív

Pri hľadaní alebo detekcii únikov sa za žiadnych okolností nesmú používať potenciálne zdroje vznietenia. Halidový detektor (alebo iný detektor s otvoreným plameňom) sa nesmie používať.

14. Odstránenie a odvodušenie

Pred vniknutím do chladiaceho okruhu za účelom opráv alebo na akékoľvek iné účely sa musia použiť konvenčné postupy. Je však dôležité dodržiavať zvyčajnú prax, pretože treba brať do úvahy horľavosť. Je potrebné dodržiavať nasledujúci postup:

- odstráňte chladivo
- vyčistíte okruh inertným plynom
- odvodušnite
- znovu vyčistíte inertným plynom
- otvorte okruh prerazením alebo spájkovaním.

Náplň chladiva sa regeneruje v správnych regeneračných nádobách. Systém sa prepláchne bezkyslíkovým dusíkom, aby bol spotrebič bezpečný vzhľadom na horľavé chladivá. Tento proces možno bude potrebné opakovať niekoľkokrát. Na túto úlohu sa nesmie používať stlačený vzduch ani kyslík.

Vyčistenie sa dosiahne prerušením naplňovania, až sa dosiahne pracovný tlak, potom vypustením do atmosféry a napokon vákuovaním. Tento postup sa musí opakovať, až v systéme nezostane žiadne chladivo. Po použítí poslednej náplne musí byť systém vypustený na atmosférický tlak, aby sa na ňom mohlo pracovať. Ak sa má na potrubí vykonávať spájkovanie, táto operácia je absolútne nevyhnutná. Dbajte, aby výstupný otvor vákuového čerpadla nebol v blízkosti zdrojov vznietenia a aby bolo k dispozícii nepretržité vetranie.

15. Postupy plnenia

Okrem konvenčných postupov plnenia treba dodržiavať nasledovné požiadavky.

- Dbajte na to, aby pri použití plniaceho zariadenia nedošlo ku kontaminácii odlišnými chladivami. Hadice a prípojky musia byť čo najkratšie, aby sa minimalizovalo množstvo chladiva, ktoré je v nich.
- Nádobu musia byť uložené v správnej polohe podľa pokynov.
- Dbajte na to, aby bol chladiaci systém pred naplňaním najprv uzemnený.
- Po skončení naplňovania systém označte (ak ešte nie je označený).
- Treba si mimoriadne dávať pozor, aby nedošlo k preplneniu systému.

Pred opätovným naplnením systému ho treba podrobiť tlakovej skúške s vhodným preplachovacím plynom. Skúška tesnosti systému sa vykoná po skončení naplňovania ale pred spustením.

Doplňujúca skúška tesnosti sa vykoná pred opustením pracoviska.

16. Vyradenie z prevádzky

Pred vykonaním tohto postupu musí byť technik dôkladne oboznámený so zariadením a všetkými jeho detailami. Odporúča sa, aby všetky chladivá boli regenerované bezpečne. Pred vykonaním tejto úlohy treba odobrať vzorku oleja a chladiva pre prípad, že by bola potrebná analýza pred opätovným použitím regenerovaného chladiva. Je dôležité, aby bolo pred spustením úlohy k dispozícii elektrické napájanie.

a) Zoznámte sa so zariadením a jeho prevádzkou.

b) Systém elektricky izolujte.

c) Predtým, než začnete postup, dbajte, aby:

- ste mali k dispozícii mechanické manipulačné vybavenie, ak je potrebné pre manipuláciu s nádobami s chladivom
- ste mali k dispozícii všetky osobné ochranné prostriedky a používali ich správne

- na proces regenerácie dohliadala kompetentná osoba
 - regeneračné vybavenie a nádoby zodpovedali príslušným normám
- d) Ak je možné, vypumpujte chladiaci systém.
- e) Ak vákuovanie nie je možné, urobte zberné potrubie, aby bolo možné odstrániť chladivo z rôznych častí systému.
- f) Dbajte, aby boli nádoby pred regeneráciou na váhe.
- g) Spustíte regeneračný stroj a obsluhujte ho podľa pokynov výrobcu.
- h) Nádoby neprepĺňajte (tekutá náplň nie je viac ako 80% objemu).
- i) Neprekračujte maximálny pracovný tlak nádoby, ani len dočasne.
- j) Keď sú nádoby naplnené správne a proces je ukončený, dbajte, aby nádoby a zariadenie boli bezodkladne z miesta odstránené a všetky uzatváracie ventily na zariadenie zavreté.
- k) Regenerované chladivo sa nesmie naplňať do iného chladiaceho systému, pokiaľ nie je vyčistené a skontrolované.

17. Označovanie

Zariadenie musí byť označené s uvedením, že bolo vyradené z prevádzky a chladivo z neho bolo vypustené. Na označení musí byť uvedená dátum a podpis. Dbajte, aby nálepky na zariadení uvádzali, že zariadenie obsahuje horľavé chladivo.

18. Regenerácia

Pri odstraňovaní chladiva zo systému, či už pri servisných prácach alebo vyradení z prevádzky, sa odporúčajú bezpečné postupy pre odstránenie všetkých chladív.

Pri prekladaní chladiva do nádob sa uistite, aby boli použité správne nádoby na regeneráciu chladiva. Dbajte, aby ste mali k dispozícii správny počet nádob, do ktorých sa vmestí náplň z celého systému. Všetky nádoby, ktoré sa použijú, sú určené pre regenerované chladivo a označené pre toto chladivo (t. j. špeciálne nádoby na regeneráciu chladiva). Nádoby musia byť vybavené pretlakovým ventilom a súvisiacimi uzatváracími ventilmi v dobrom prevádzkovom stave.

Regeneračné zariadenie musí byť v dobrom prevádzkovom stave v súlade s pokynmi k tomuto zariadeniu a vhodné na regeneráciu horľavých chladív. Okrem toho musia byť k dispozícii kalibrované váhy v dobrom prevádzkovom stave. Hadice musia byť vybavené tesniacimi odpájatelnými spojkami a v dobrom stave.

Pred použitím regeneračného stroja skontrolujte, či je v uspokojivom prevádzkovom stave, bol správne udržiavaný a súvisiace elektrické komponenty sú utesnené, aby sa predišlo vznieteniu v prípade uvoľnenia chladiva. V prípade pochybností sa poraďte s výrobcom. Regenerované chladivo treba vrátiť dodávateľovi chladiva v správnom regeneračnom valci a vybavené vhodným označením prevozu odpadu. Nemiešajte chladivá v regeneračných jednotkách, hlavne nie vo valcoch.

Ak sa majú odstrániť kompresory alebo kompresorové oleje, dbajte, aby boli odvzdušené na prijateľnú úroveň, aby v mazine nezostalo horľavé chladivo. Proces odvzdušnenia sa vykoná pred vrátením kompresora dodávateľom. Na zrýchlenie tohto procesu sa použije iba elektrické ohrievanie telesa kompresora. Po vypustení oleja zo systému pracujte bezpečne.

UVEDENIE DO PREVÁDZKY

- Pred uvedením do prevádzky opatrne odstráňte balenie prístroja a dbajte na to, aby ste prístroj alebo sieťový kábel nepoškodili. V prípade poškodenia prevádzkovanie prístroja je zakázané!
- Pred prvým zapnutím držte prístroj jednu hodinu postavený na kolieska!
- Keď chcete používať hadicu pre odtok vody, tak ju pripojte podľa 1. obr. Pred pripojením treba odstrániť gumenú zátku na zadnej strane prístroja.
- Sieťový pripojovací kábel, ktorý je rozmotaný po celej jeho dĺžke, pripojte do normalizovanej, uzemnenej nástennej zásuvky.
- Týmto je prístroj prevádzkyschopný.

ČISTENIE, ÚDRŽBA

Za účelom optimálnej prevádzky prístroja je potrebné prístroj čistiť v závislosti od stupňa znečistenia, ale aspoň raz mesačne.

1. Pred čistením vypnite prístroj a odpojte z elektrickej siete vytiahnutím kábla zo zásuvky!
2. Vstupné (4) a výstupné (3) otvory vzduchu vyčistíte pomocou vysávača! Pri otvorení vstupu vzduchu môžete filter odstrániť a umyť. **(4. obr.)** Do prístroja vložte späť len suchý filter.
3. Prístroj poutierajte zvonka mierne vlhkou utierkou! Nepoužívajte agresívne čistiace prostriedky! Dbajte na to, aby sa do vnútra prístroja a na elektrické súčiastky nedostala voda!

RIEŠENIE PROBLÉMOV

Problém	Riešenie problému
ventilátor funguje, ale kompresor nie	skontrolujte režim a nastavenú vlhkosť
prístroj sa počas prevádzky zastavil	vyprázdnite nádrž na vodu
	nádrž na vodu umiestnite presne na svoje miesto
	je možné, že prístroj vypol časovač
prístroj hlučne fúka vzduch von	očistite filter
prístroj neodvlhčuje správne	očistite filter
	nezakrývajte za- a vývod vzduchu



ZNEHODNOCOVANIE

Výrobok nevyhadzujte do bežného domového odpadu, separujte oddelene, lebo môže obsahovať súčiastky nebezpečné na životné prostredie alebo aj na ľudské zdravie! Za účelom správnej likvidácie výrobku odovzdajte ho na mieste predaja, kde bude prijatý zdarma, respektíve u predajcu, ktorý predáva identický výrobok vzhľadom na jeho ráz a funkciu. Výrobok môžete odovzdať aj miestnej organizácii zaoberajúcej sa likvidáciou elektroodpadu. Tým chránite životné prostredie, ľudské a teda aj vlastné zdravie. Pripadné otázky Vám zodpovie Váš predajca alebo miestna organizácia zaoberajúca sa likvidáciou elektroodpadu.

INSTRUCȚIUNI IMPORTANTE PRIVIND SIGURANȚA CITIȚI MANUALUL CU ATENȚIE ȘI PASTRAȚI-L ÎNTR-UN LOC ACCESIBIL PENTRU UTILIZARE ULTERIOARĂ!

ATENȚIONĂRI

- Înainte de utilizarea produsului vă rugăm să citiți instrucțiunile de utilizare de mai jos și păstrați-le într-un loc accesibil. Manualul original a fost redactat în limba maghiară.
- Acest aparat nu este destinat utilizării de către persoane cu capacități fizice, senzoriale sau mentale diminuate, ori de către persoane care nu au experiență sau cunoștințe suficiente (inclusiv copii); copiii peste 8 ani pot utiliza aparatul în cazul în care sunt supravegheați de către o persoană care răspunde de siguranța lor, sau sunt informați cu privire la funcționarea aparatului în condiții de siguranță și au înțeles ce pericole pot rezulta din utilizarea necorespunzătoare. Nu lăsați copii să se joace cu aparatul. Curățarea sau utilizarea produsului de către copii este permisă numai cu supravegherea unui adult. Țineți copiii mai mici de 8 ani departe de aparat și de cablul acestuia! • **ATENȚIE!** Punerea în funcțiune, utilizarea și depozitarea aparatului sunt permise în încăperi de min. 4 m²! • Asigurați-vă că produsul nu s-a deteriorat în timpul transportului! • Aparatul poate fi folosit doar în interior, în mediu uscat, nu-l expuneți la ploaie. • Nu folosiți pentru a usca sau a menține mâncarea sau lucrările de artă uscate! • Așezați aparatul doar pe o suprafață solidă, orizontală! • Respectați distanțele minime de așezare recomandate în fig. 2.! Să aveți în vedere prevederile locale de siguranță! • Nu-l amplasați în apropiere de calorifer sau sobă, deoarece căldura radiantă poate deteriora aparatul! • Este interzisă utilizarea în locuri unde se pot elibera aburii inflamabili sau praf explozibil! Nu utilizați în mediu cu risc de incendiu sau explozie! • Este INTERZISĂ utilizarea în apropiere de vană, duș, chiuvetă, bazin de înot sau saună! • Pentru o protecție suplimentară, fiecare circuit dintr-o încăpere care conține vană sau cabină de duș, se vor proteja cu una sau mai multe întrerupătoare de circuit (RCD) cu un curent nominal de deplasare de 30 mA sau mai mic! Solicitați ajutorul unei persoane calificate! • Se interzice utilizarea aparatului în autovehicule sau încăperi strâmte (< 5 m²) ori închise (de ex. lift)! • Nu utilizați aparatul cu priză programabilă, temporizator sau sistem autonom de comandă de la distanță, care ar putea porni aparatul în mod independent. • Se va conecta doar la o priză standard de perete cu împământare și tensiune 230V~ / 50 Hz! • Desfășurați în întregime cablul de alimentare! • Nu atingeți niciodată aparatul și cablul de alimentare cu mâna udă! • Nu utilizați prelungitor sau distribuitor pentru conectarea aparatului la rețea! • Așezați aparatul în așa fel încât să aveți acces liber la priză, pentru a deconecta ușor aparatul la nevoie! • Conduceți cablul de alimentare în așa fel încât să se prevină scoaterea accidentală priză, respectiv nimeni nu se va împiedica de cablu! • Nu conduceți cablul de alimentare sub covor, preș etc! • Aparatul se utilizează doar sub supraveghere continuă! • Este interzisă exploatarea fără supraveghere în apropierea copiilor! • Nu acoperiți orificiile de admisie și evacuare a aerului! • Asigurați-vă ca prin orificiile aparatului nu vor ajunge lichide sau obiecte străine în interiorul acestuia. • Apa acumulată în aparat trebuie aruncată și nu se va reutiliza în nici un scop! • Atenție! Feriți ștecherul și priza de stropire cu apă! • Dacă sesizați orice neregulă în funcționare (de ex. dacă auziți zgomote ciudate din interiorul aparatului sau simțiți că miroase a ars), opriți imediat aparatul și scoateți-l de sub tensiunea de rețea! • Scoateți întotdeauna de sub tensiune aparatul lăsat nesupravegheat, respectiv înainte de asamblare, demontare și curățare. • Dacă nu veți folosi aparatul o perioadă mai lungă de timp, scoateți ștecherul din priza de rețea! Depozitați într-un loc uscat și răcoros! • Cablul de alimentare se va îndepărta din priză trăgând de fișă și nu de cablu. • Datorită îmbunătățirii continue a produselor, unele date tehnice și de design pot fi modificate fără o înștiințare în prealabil. • Actualul manual de utilizare poate fi descărcat de pe pagina www.somogyi.ro. • Nu ne asumăm răspunderea pentru eventualele greșeli tipografice și ne cerem scuze pentru acestea. • Este permisă doar utilizarea casnică, nu și cea industrială!



Pericol de electrocutare!

Niciodată nu demontați, modificați aparatul sau componentele lui! În cazul deteriorării oricărei părți al aparatului întrerupeți imediat alimentarea aparatului și adresați-vă unui specialist!



Dacă se constată deteriorarea cablului de alimentare schimbarea lui poate fi efectuată de către fabricant, un prestator de servicii al acestuia sau un specialist cu cunoștințe adecvate!



Atenție! Pericol de incendiu!

Acest simbol semnaleză, că aparatul conține agent de răcire inflamabil! Dacă acest agent de răcire se scurge și intră în contact cu o sursă de inflamare, acesta poate provoca pericol de incendiu!



Acest simbol semnaleză, că instrucțiunile de utilizare trebuie citite în întregime!



Acest simbol semnaleză pentru service-urile specializate, că aparatul trebuie tratat strict după instrucțiunile de punere în funcțiune.



Acest simbol semnaleză, că atât instrucțiunile de utilizare, cât și cele de punere în funcțiune sunt disponibile.

ATENȚIONĂRI SUPPLEMENTARE PENTRU APARATELE CU CONȚINUT DE AGENT DE RĂCIRE R290

Înainte de punerea în funcțiune

Pentru evitarea deteriorării aparatului, așezați-l în poziție verticală pentru cel puțin 24 ore înainte de punerea în funcțiune. Asigurați-vă că orificiile de admisie și evacuare a aerului nu sunt obturate sau acoperite. Utilizați aparatul doar pe o suprafață orizontală, evitând astfel scurgerea apei din aparat.

Atenționări

- Rezistența sursei de alimentare la care se conectează aparatul nu trebuie să depășească 0,236 Ohmi. Nerespectarea acestui lucru poate duce la restricții de conectare din partea furnizorului de electricitate. Consultați-vă furnizorul de electricitate, în cazul în care consumul aparatului depășește 0,236 Ohmi.
 - Orice persoană, care efectuează intervenții la agentul de răcire sau la circuitele frigorifice ori care desface sistemul, trebuie să dispună de un certificat actual și valabil, eliberat de organismul de evaluare al industriei.
 - Gândiți-vă la mediu atunci când eliminați materialele de ambalaj și când produsul a ajuns la finalul duratei de viață.
 - Depozitați aparatul într-un loc aerisit, care este de dimensiunea minimă recomandată pentru utilizare.
 - Depozitați aparatul în așa fel, încât să nu se deterioreze.
 - Păstrați toate orificiile de aerisire libere.
 - Reparația trebuie efectuată numai conform recomandărilor producătorului.
 - Dacă aparatul de aer condiționat mobil sau dezumidificatorul este pornit, ventilatorul funcționează continuu, stabil, în condiții normale, trebuie să asigure o portanță de aer de minim 100 m³/h chiar dacă compresorul este oprit din cauza termostatului.
 - Nu străpungeți și nu ardeți aparatul.
 - Pentru decongelarea și curățarea aparatului folosiți numai metoda și instrumentele recomandate de producător.
 - Nu străpungeți nicio parte a circuitului de răcire. Agentul frigorific poate fi inodor.
- Atenționare: Pentru a reduce riscul de incendiu și electrocutare, nu folosiți acest dispozitiv cu un regulator de putere semiconductor!

Atenționări suplimentare pentru aparatele cu conținut de agent de răcire R290 (verificați tabelul de date pentru identificarea agentului frigorific)



ATENȚIE! PERICOL DE INCENDIU!
ÎNAINTE DE UTILIZAREA PRODUSULUI CITIȚI
CU ATENȚIE INSTRUCȚIUNILE DE UTILIZARE!

Agentul de răcire R290 este conformă cu prevederile standardelor europene de protecție a mediului. Acest aparat conține cca. 35 g agent de răcire R290. Pentru instalarea, exploatarea și depozitarea aparatului, recomandăm o încăpere de cel puțin 4 m².

Instrucțiuni pentru reparațiile echipamentelor cu conținut de gaze tip R290

1. Inspectarea spațiului

Înainte de intervențiile de reparații la echipamentele cu conținut de agent frigorific inflamabil, este necesară efectuarea unei inspecții de siguranță, pentru a vă asigura că riscul de incendiu este minimizat. Înainte de reparații ori întreținere respectați următoarele măsuri de precauție.

2. Proceduri de operare

Procedura se va efectua conform unor pași verificați, pentru ca în timpul operațiunilor riscul prezenței gazelor și aburilor inflamabili să fie minim.

3. Zona generală de lucru

Tot personalul de întreținere, precum și alte persoane care lucrează în zona locală trebuie instruiți cu privire la natura muncii care se desfășoară. Evitați lucrul în spații închise.

4. Verificarea prezenței agentului frigorific

Zona trebuie verificată cu un detector adecvat de agent frigorific înainte și în timpul lucrului, pentru a se asigura că tehnicianul este conștient de potențialul toxic sau inflamabil din atmosferă. Asigurați-vă că echipamentul de detectare a scurgerilor care se utilizează este adecvat pentru utilizarea cu toți agenții frigorifici aplicabili, adică este fără scânteiere, sigilat corespunzător sau protejat intrinsec.

5. Prezența stingătorului de incendiu

În cazul în care trebuie efectuată o lucrare la cald (de ex. sudură) cu privire la echipamentul de refrigerare sau la orice componentă, trebuie să fie disponibile echipamente adecvate de stingere a incendiilor. Este necesar să aveți în apropiere un stingător de incendiu cu pulbere uscată sau cu CO₂.

6. Îndepărtarea surselor de aprindere

Persoana care efectuează lucrări pe sistemul de refrigerare care implică expunerea sistemului de țevi, nu va folosi nicio sursă de aprindere, care ar putea produce un risc de incendiu sau explozie. Toate sursele de aprindere, inclusiv fumatul, trebuie să fie ținute suficient de departe de locul de instalare, reparație și eliminare, în timpul căruia agentul frigorific poate fi eliberat în spațiul din jur. Înainte de efectuarea lucrării, zona din jurul echipamentului trebuie verificată pentru a vă asigura că nu există pericole inflamabile sau riscuri de aprindere. Trebuie afișate indicatoare cu "Fumatul Interzis".

7. Zona ventilată

Înainte de desfacerea sistemului sau efectuarea oricăror lucrări, asigurați-vă că zona este deschisă sau că este bine ventilată. Ventilarea trebuie să continue în timpul în care se efectuează lucrările. Ventilarea dispersează în siguranță orice agent frigorific eliberat și pe cât posibil îl evacuează din zona de lucru.

8. Verificări la echipamentul de răcire

În cazul în care componentele electrice se schimbă, acestea trebuie să fie adecvate scopului și specificațiilor din prevederi. Întotdeauna respectați instrucțiunile de întreținere și de service ale producătorului. Dacă aveți dubii, adresați-vă departamentului tehnic al producătorului pentru asistență. Următoarele verificări trebuie aplicate la instalațiile care utilizează agenți frigorifici inflamabili:

- Încărcătura de agent frigorific este potrivită pentru dimensiunea încăperii în care este instalat aparatul.
- Aparatele de ventilație și orificiile de evacuare funcționează corespunzător și nu sunt blocate.
- Semnalizările echipamentului trebuie să fie vizibile și lizibile oricând. Semnele și semnalizările care nu se mai disting, trebuie să fie înlocuite.
- Conductele de răcire sau componentele se vor monta într-o poziție în care este puțin probabil ca acestea să fie expuse la orice substanță care poate coroda compușii ce conțin agenți frigorifici, cu excepția cazului în care componentele sunt construite din materialele care sunt inerent rezistente la corodare sau sunt protejate corespunzător împotriva corodării.

9. Verificări la echipamentele electrice

Repararea și întreținerea componentelor electrice trebuie să includă verificări inițiale de siguranță și proceduri de inspecție

a componentelor. Dacă există o defecțiune care ar putea compromite siguranța, atunci aparatul nu trebuie conectat la nicio sursă de alimentare electrică până când eroarea nu este tratată în mod satisfăcător. Dacă defecțiunea nu poate fi corectată imediat, dar este necesară continuarea funcționării, trebuie utilizată o soluție temporară adecvată. Aceasta trebuie raportată proprietarului echipamentului, astfel încât toate părțile să fie înștiințate.

Verificările inițiale de siguranță includ următorii pași:

- descărcarea condensatoarelor: se va efectua într-o manieră sigură, cu evitarea posibilității apariției de scântei
- verificarea ca în timpul încărcării, recuperării sau curățării sistemului nu sunt expuse componente electrice sau cabluri aflate sub tensiune

10. Reparații la componente închise

La reparațiile pieselor închise, înainte de îndepărtarea capacului închis etc, toate sursele electrice trebuie deconectate de pe aparat. Dacă este absolut necesar ca aparatul să fie alimentat în timpul reparației, trebuie utilizată o metodă de detectare a scurgerilor care funcționează continuu în punctul cel mai critic, pentru a putea sesiza cât mai curând posibil o situație cu potențial periculos.

Asigurați-vă în mod expres de faptul că în timpul efectuării lucrărilor de întreținere la componente, carcasa nu va fi modificată astfel încât să afecteze nivelul de protecție. Acesta include deteriorarea cablurilor, numărul de conexiuni în exces, borne care nu sunt conforme cu specificațiile originale, deteriorarea sigiliilor, etc.

Verificați dacă aparatul este montat corect.

Asigurați-vă că garniturile și elementele de etanșare nu sunt îmbătrânite în așa fel, încât nu mai pot fi utilizate pentru a preveni formarea unei atmosfere inflamabile. Piesele de schimb trebuie să respecte specificațiile producătorului.

11. Repararea pieselor sigure intrinsec

Nu aplicați sarcină inductivă sau capacitive constante pe circuit fără a vă asigura că acesta nu depășește tensiunea și curentul admisibile ale echipamentului utilizat.

În prezența atmosferelor inflamabile, pot fi operate numai piesele sigure intrinsec dacă acestea se află sub tensiune. Echipamentul de testare trebuie să fie certificat corespunzător.

Înlocuiți piesele doar pe unele specificate de producător. Alte componente pot provoca aprinderea agentului frigorific datorită scurgerii acestuia în atmosferă.

12. Inspectarea cablurilor

Verificați cablurile să nu fie expuse la uzură, coroziune, supratensiune, vibrații, vânt puternic sau alte efecte adverse în mediul înconjurător. În timpul inspecției, este necesar să luați în vedere impactul îmbătrânirii sau sursele vibrațiilor continue cum ar fi compresorul ori ventilatorul.

13. Detectarea agentului frigorific inflamabil

Pentru căutarea sau detectarea scurgerilor de agent frigorific nu utilizați un detector cu potențial de aprindere. Este interzisă utilizarea unei torțe cu halogenă (sau a oricărui senzor cu flacără deschisă).

14. Golirea agentului frigorific

Intervenția în circuitul frigorific cu scopuri de reparații sau întreținere se va efectua folosind tehnici convenționale. Permiteți efectuarea întreținerii și a altor operațiuni ale circuitului de refrigerare în conformitate cu procedura generală, totuși esențialul este de a ține cont de potențialul inflamabil. Este necesar să urmați următoarele proceduri:

- eliminați agentul frigorific;
- decontaminați conducta prin utilizarea unui gaz inert;
- evacuați;
- repetați decontaminarea cu gaz inert;
- desfaceți conducta prin tăiere sau sudare.

Agentul frigorific trebuie returnat în recipiente de stocare adecvate. Sistemul trebuie suflat cu azot fără oxigen pentru a asigura siguranța utilizării unui agent frigorific inflamabil. Este posibil ca acest proces să necesite a fi repetat de mai multe ori. Această operațiune nu se efectuează cu aer comprimat sau oxigen.

Prin procesul de suflare, sistemul este încărcat cu azotul anaerob pentru a ajunge la presiunea de lucru în stare de vid, apoi azotul fără oxigen este emis în atmosferă și, în cele din urmă, se videază sistemul. Repetați acest proces până când curățați toți agenții frigorifici din sistem. După încărcarea finală a azotului anaerob, presurizați sistemul pentru a putea începe lucrările la conductă. Această operație este necesară înainte de intervenția prin sudare. Asigurați-vă că evacuarea pompei de vid nu se află în apropiere de potențiale surse de aprindere și că ventilația este adecvată.

15. Proceduri de încărcare cu agent frigorific

Pe lângă procedurile convenționale de umplere, trebuie îndeplinite următoarele cerințe.

- Atunci când se utilizează un dispozitiv de încărcare cu agent frigorific, asigurați-vă că nu există o contaminare între diferiți agenți frigorifici. Conducța pentru încărcarea agenților frigorifici ar trebui să fie cât mai scurtă posibil pentru a reduce reziduurile agenților frigorifici din aceasta.
- Recipientele de depozitare trebuie să rămână în poziția recomandată, pe verticală.
- Asigurați-vă că s-a ținut cont de toate soluțiile de împământare înainte ca sistemul de răcire să fie încărcat cu agenți frigorifici.
- După finalizarea încărcării (sau în timpul încărcării), marcați semnul pe sistem.
- Aveți grijă să nu supraîncărcați agenții frigorifici.

Înainte de umplerea sistemului verificați presiunea cu ajutorul gazului utilizat la curățare. La sfârșitul încărcării, dar înainte de punerea în funcțiune, verificați dacă există scurgeri în sistem. Înainte de părăsirea locului efectuați un test suplimentar de scurgere.

16. Dezafectarea

Înainte de a efectua această procedură, este esențial ca un specialist să cunoască pe deplin echipamentul și detaliile acestuia. Este o practică bună să recuperați toată cantitatea de agent frigorific în siguranță. Eșantioanele de ulei și refrigerant trebuie prelevate înainte de a efectua această sarcină, dacă este necesar o analiză înainte de refolosirea agentului frigorific recuperat. Este important să asigurați o sursă de curent electric la locul de lucru.

- a) Familiarizați-vă cu echipamentul și cu modul de lucru al acestuia.
- b) Deconectați sistemul de la sursa de alimentare.
- c) Înainte de a efectua această procedură, verificați dacă:
 - în cazul în care este necesar, aveți la dispoziție echipamentele mecanice pentru recipientele de recuperare
 - toate echipamentele de protecție sunt la îndemână și sunt utilizate corect
 - procesul de recuperare trebuie supravegheat de personalul calificat.
 - echipamentele de recuperare și recipientele de stocare respectă standardele naționale relevante.
- d) Dacă este posibil, sistemul de răcire trebuie vidat.
- e) Dacă starea de vid nu poate fi atinsă, pregătiți un furtun distribuitor pentru a putea extrage agentul frigorific din mai multe locuri din sistem.
- f) Înainte de începerea recuperării, asigurați-vă că recipientele se află pe cântar.
- g) Poniți echipamentul de recuperare și operați conform instrucțiunilor producătorului.
- h) Nu umpleți recipientele la capacitate maximă (volumul de injecție a lichidului să nu depășească 80% din volumul sticlei).
- i) Nu depășiți nici temporar presiunea maximă admisă în sticle.
- j) După terminarea umplerii rezervorului și sfârșitul procesului de operare, trebuie să vă asigurați că rezervoarele și echipamentul să fie îndepărtate rapid și toate supapele de închidere din echipament sunt închise.
- k) Refrigerantul recuperat se va utiliza într-un alt sistem de răcire, doar după curățarea și inspectarea acestuia.

17. Etichetarea

Pe echipament trebuie marcat faptul că a fost scos din uz și că agentul frigorific a fost evacuat din acesta. Eticheta trebuie să conțină data și semnătura. În cazul echipamentelor cu conținut de agent frigorific inflamabil aveți în vedere să notați pe etichetă faptul, că produsul conține agent de răcire inflamabil.

18. Recuperarea

Atunci când evacuați agentul frigorific din sistem în scopuri de service ori dezafectare, este recomandat și practic să îndepărtați în siguranță tot refrigerantul.

Când transferați agentul frigorific în recipiente, asigurați-vă că utilizați numai sticle de recuperare corespunzătoare agentului frigorific. Asigurați-vă că aveți la îndemână un număr suficient de sticle pentru umplerea sistemului. Toate sticlele care urmează să fie utilizate sunt marcate și etichetate pentru recuperarea agentului frigorific (adică sticle speciale pentru recuperarea agentului frigorific). Sticlele trebuie să aibă o supapă potrivită și funcțională pentru eliberarea presiunii, precum și o supapă de închidere asociată.

Echipamentul de recuperare trebuie să fie în stare de funcționare și trebuie să fie însoțit de instrucțiuni de utilizare, și trebuie să fie capabil să recupereze toată cantitatea de agent frigorific, inclusiv cel inflamabil. În plus, trebuie să aveți și un cântar funcțional și bine calibrat. Furtunul trebuie legat cu o îmbinare detașabilă de conectare cu o rată de scurgere zero și trebuie păstrat într-o stare bună.

Înainte de utilizarea echipamentului de recuperare, asigurați-vă că este funcțional, a fost întreținut corespunzător și toate componentele electrice sunt închise pentru a preveni orice posibilă aprindere la eliberarea agentului frigorific. În cazul în

aveți dubii, contactați producătorul.

Refrigerantul recuperat trebuie returnat furnizorului de agent frigorific, ambalat în recipientele de recuperare corespunzătoare, împreună cu lista de expediere a deșeurilor. Nu amestecați diferiți agenți frigorifici în echipamentul de recuperare, în special în rezervorul de stocare.

Dacă trebuie să scoateți compresorul sau uleiul de compresor, asigurați-vă că compresorul este pompat la un nivel corespunzător pentru a vă asigura că nu există refrigeranți reziduali în uleiul de lubrifiere. Procesul de evacuare trebuie efectuat înainte ca compresorul să fie returnat furnizorului.

Pentru a accelera procesul, corpul compresorului poate fi încălzit doar electric. Evacuarea uleiului din sistem trebuie să se efectueze întotdeauna în siguranță.

PUNEREA ÎN FUNCȚIUNE

- Înainte de punerea în funcțiune îndepărtați ambalajele cu grijă, pentru a nu deteriora aparatul sau cablul de alimentare. În cazul sesizării oricărei defecțiuni, punerea în funcțiune este interzisă!

- Înainte de prima pornire lăsați aparatul pe roțile sale timp de cel puțin 1 oră!

- Dacă doriți să utilizați tubul de drenaj, conectați-l de aparat conform **fig. 1**. Prima dată scoateți dopul din plastic din spatele aparatului.

- Desfășurați cablul de alimentare în întregime și conectați ștecherul într-o priză standard de perete.

- Astfel produsul este pregătit pentru utilizare.

CURĂȚARE, ÎNTREȚINERE

În vederea funcționării optime și în funcție de nivelul de contaminare este necesară curățarea periodică a aparatului, cel puțin lunar.

1. Înainte de curățare opriți aparatul și scoateți-l de sub tensiunea de rețea prin îndepărtarea fișei din priză!

2. Curățați fanta de admisie (4) și evacuare (3) a aerului cu un aspirator! La fanta de admisie a aerului puteți detașa filtrul, care apoi se poate spăla cu apă. (**fig. 4**) Reatașați în produs doar un filtru uscat.

3. Ștergeți carcasa exterioară cu o lavetă umezită. Nu utilizați soluții agresive de curățare! Nu permiteți ca apa să ajungă în interiorul aparatului, mai ales pe piesele electrice!

DEPANARE

Defect sesizat	Rezolvare probabilă
ventilatorul funcționează, dar compresorul nu aparatul s-a oprit	verificați modul de funcționare și umiditatea setată
	goliți rezervorul de apă
	atașați rezervorul corect la locul său poate aparatul a fost oprit de temporizator
zgomotul de evacuare este prea puternic	curățați filtrul de aer
aparatul nu dezumidifică potrivit	curățați filtrul de aer
	nu acoperiți fantele de admisie și evacuare a aerului



ELIMINARE

Colectați în mod separat echipamentul devenit deșeu, nu-l aruncați în gunoiul menajer, pentru că echipamentul poate conține și componente periculoase pentru mediul înconjurător sau pentru sănătatea omului! Echipamentul uzat sau devenit deșeu poate fi predat nerambursabil la locul de vânzare al acestuia sau la toți distribuitorii care au pus în circulație produse cu caracteristici și funcționalități similare. Poate fi de asemenea predat la punctele de colectare specializate în recuperarea deșeurilor electronice. Prin aceasta protejați mediul înconjurător, sănătatea Dumneavoastră și a semenilor. În cazul în care aveți întrebări, vă rugăm să luați legătura cu organizațiile locale de tratare a deșeurilor. Ne asumăm obligațiile prevederilor legale privind producătorii și suportăm cheltuielile legate de aceste obligații.

**BITNE BEZBEDNOSNE ODREDBE
PAŽLJIVO PROČITAJTE I SAČUVAJTE ZA DALJU UPOTREBU!****NAPOMENE**

- Pre prve upotrebe pročitajte ovo uputstvo i sačuvajte ga. Originalno uputstvo je pisano na mađarskom jeziku.
- Ovaj uređaj nije predviđen za upotrebu licima sa smanjenom mentalnom ili psihofizičkom mogućnošću, odnosno neiskusnim licima uključujući i decu, deca starije od 8 godina smeju da rukuju ovim uređajem samo u prisustvu odrasle osobe ili da su upućeni u bezbedno rukovanje i svesni su svih opasnosti pri radu. Deca se ne smeju igrati sa ovim proizvodom. Čišćenje i održavanje ovog proizvoda dece starija od 8 godina smeju da rade samo uz nadzor odrasle osobe. Decu mlađu od 8 godina držite dalje od ovog proizvoda i njegovog strujnog kabela, utikača!
- Ovaj uređaj nije predviđen za upotrebu licima sa smanjenom mentalnom ili psihofizičkom mogućnošću, odnosno neiskusnim licima uključujući i decu, deca starija od 8 godina smeju da rukuju ovim uređajem samo u prisustvu odrasle osobe ili da su upućena u bezbedno rukovanje i svesna su svih opasnosti pri radu. Deca se ne smeju igrati sa ovim proizvodom. Čišćenje i održavanje ovog proizvoda deca starija od 8 godina smeju da rade samo uz nadzor odrasle osobe. Decu mlađu od 8 godina držite dalje od ovog proizvoda i njegovog strujnog kabela, utikača! • **PAŽNJA!** Uređaj se isključivo sme koristiti i skladištiti u prostorijama većim od 4 m²!
- Uverite se da uređaj nije oštećen prilikom transporta! • Uređaj je predviđen za unutrašnju upotrebu, ne izlažite je kiši. • Uređaj ne koristite za sušenje hrane, ili održavanje vlažnosti umetničkih dela! • Uređaj se sme koristiti samo na ravnoj tvrdoj podlozi! • Držite se propisa razdaljine kao na skici 2! Držite se aktuelnih propisa države gde se uređaj koristi! • Uređaj ne postavljajte blizu grejnih tela pošto one mogu oštetiti uređaj! • Zabranjena upotreba u prostorijama gde se nalaze zapaljive tečnosti i gasovi, ge se oslobađaju zapaljive smese prašine itd! • Uređaj je **ZABRANJENO** koristiti u blizini kada, umivaonika, tuša, bazena ili sauna! • Radi dodatne bezbednosti u kupatilima ili drugim sanitarnim čvorovima svaki električni vod treba da je zaštićen (FID) sklopkom 30 mA! Potražite savet stručnog lica! • Zabranjena upotreba u vozilima i drugim skućenim prostorima kao što su na primer liftovi (< 5 m²)! • Uređaj je zabranjeno upotrebljavati sa vremenskim prekidačima, daljinskim upravljačima ili drugim uređajima koji bi mogli sami da uključe uređaj. • Upotrebljivo samo u uzemljenim strujnim utičnicama 230V~ / 50Hz! • Priključni kabel odmotajte do kraja! • Uređaj i priključni kabel ne dodirujte mokrim, vlažnim rukama! • Za uključivanje uređaja ne koristite produžne kablove ili razdelnike! • Uređaj tako postavite da priključni kabel uvek bude lako dostupan! • Priključni kabel tako postavite da ne smeta prolazu, da se ne bi zakačili za njega! • Priključni kabel nemojte provlačiti ispod tepiha, otirača i sličnih predmeta! • Upotrebljivo samo uz konstantan nadzor! • Zabranjena upotreba u blizini dece bez nadzora! • Ne prekrivajte ventilacione otvore uređaja! • Obratite pažnju da kroz otvore uređaja ništa ne upadne ili ucuri. • Sakupljenu vodu treba baciti, nije upotrebljivo za druge namene! • Pažnja! Izbegnite da na strujni utikač prsne voda! • Ako primetite bilo kakvu nepravilnost (čudan zuk ili neprijatan miris) odmah isključite uređaj! • Uređaj uvek izvucite iz struje ako ga ostavljate bez nadzora ili ako ga sklapate, rastavljate ili čistite. • Ako duže vreme ne koristite uređaj, isključite ga i izvucite iz struje! Uređaj skladištite na suvom tamnom mestu! • Priključni kabel se izvlači iz zida držanjem za utikač a ne za kabel. • Iz razloga konstantnog razvoja i poboljšavanja kvaliteta promene u karakteristikama i dizajnu mogu se desiti i bez najave. • Aktuelno uputstvo za upotrebu možete pronaći na adresi www.somogyi.hu. • Za eventualne štamparske greške ne odgovaramo i unapred se izvinjavamo. • Uređaj predviđen za upotrebu u privatne svrhe, nije za profesionalnu upotrebu!



Opasnost od strujnog udara!

Zabranjeno rastavljati uređaj i njegove delove prepravljati! U slučaju bilo kojeg kvara ili oštećenja, odmah isključite uređaj i obratite se stručnom licu!






Ukoliko se ošteti priključni kabel, zamenu može da izvrši samo ovlašćeno lice uvoznika ili slična kvalifikovana osoba!



Pažnja! Rizik od požara!

Ovaj simbol označava da je uređaj punjen sa zapaljivim gasom za hlađenje! Ukoliko slučajno gas curi iz uređaja to može biti zapaljivo!

-  Ovaj simbol označava da se uputstvo za upotrebu treba pažljivo pročitati!
-  Ovaj simbol označava da serviser mora da postupi prema uputstvima za puštanje u rad.
-  Ovaj simbol označava, da su dostupni i uputstvo za upotrebu i uputstvo za puštanje u rad.

DODATNE NAPOMENE ZA UREĐAJE SA RASHLADNIM GASOM R290

Pre puštanja u rad

Radi sprečavanja kvarova, uređaj postavite u vertikalni položaj najmanje 24 sata pre upotrebe. Uverite se da otvori za izlaz i ulaz vazduha nikad nisu prekriveni. Uređaj se sme koristiti samo na vodoravnoj površini, ovim se sprečava da voda slučajno ne curi iz uređaja.

Napomene

- Otpor izvora napajanja priključen na uređaj nikada ne bi smeo biti veći od 0,236 Ohm. Ukoliko ovo nije ostvareno distributer električne energije može da uvede ograničenja na priključak. Konsultujte se sa distributerom električne energije ukoliko upotreba uređaja premašuje 0,236 Ohm-a.
- Bilo ko, ko radi na povezivanju uređaja ili radi sa rashladnim gasom mora da poseduje određene dozvole i sertifikate za izvođenje ovakve vrste poslova.
- Mislite na zaštitu životne sredine kada uništavate ambalažu uređaja ili kada je uređaju istekao životni vek.
- Uređaj držite samo u prostorijama koje se dobro provetravaju, kao što je to opisano u uputstvu za upotrebu ovog uređaja.
- Uređaj tako skladištite da se ne bi oštetio.
- Informacije o mestima na kojima su dozvoljene cevi za rashladno sredstvo, uključujući deklaracije
- Sve otvore ventilacije treba ostaviti slobodne.
- Servisiranje se sme raditi samo u ovlašćenom servisu od strane proizvođača.
- Ukoliko je uključena klima ili odvlaživač, u normalnim uslovima ventilator konstantno stabilno radi, mora da je spreman za protok vazduha minimalno 100 m³/h čak i u tom slučaju ako je kompresor u isključenom stanju zbog podešene temperature.
- Nemojte bušiti ili paliti uređaj
- Za odmrzavanje i čišćenje se smeju koristiti samo alati i materijali koje je proizvođač predvideo.
- Rashladni krug se ni u kom slučaju se ne sme probušiti. Gas može biti bez mirisa.
- Pažnja: Radi bezbednijeg rada i sprečavanja požara ili strujnog udara sa uređajem ne koristite poluprovodničke regulatore snage

Dotadne napomene za uređaje sa rashladnim gasom R290 (proverite tabelu za utvrđivanje vrste rashladnog gasa)



PAŽNJA! OPASNOST OD POŽARA! PRE UPOTREBE PAŽLJIVO PROČITAJTE UPUT- STVO!

R290 rashladni gas odgovara ekološkim normativama Evropske unije. Ovaj uređaj sadrži oko 35 g R290 rashladnog gasa. Prostor za postavljanje, upotrebu, popravku i skladištenje ovog klima uređaja treba biti veći od 4 m².

Uputstvo za skladištenje gasa R290 i popravku uređaja

1. Provera područja rada

Pre početka rada na sistemima koji sadrže zapaljivo rashladno sredstvo, neophodne su bezbednosne provere da se smanji rizik samozapaljenja. Sledeće mere predostrožnosti moraju se preduzeti pre popravke sistema za hlađenje.

2. Proces rada

Rad se mora izvoditi u skladu sa kontrolisanom procedurom kako bi se smanjio rizik od prisustva zapaljivih gasova i para tokom rada.

3. Osnovno mesto obavljanja radova

Svo osoblje za održavanje i ostalo osoblje na licu mesta treba da budu obavešteni o prirodi posla koji treba da se izvodi. Izbegavajte rad u zatvorenim prostorima.

4. Provera prisustva rashladnog gasa

Pre, za vreme i nakon rada, područje treba proveriti odgovarajućim senzorom rashladnog sredstva kako bi se osiguralo da tehničar zna za potencijalno toksične ili zapaljive materije. Uverite se da je upotrebljena oprema za detekciju curenja rashladnog gasa, da je curenje sprečeno i da neće doći do varnice.

5. Prisustvo aparata za gašenje požara

Ako se radovi koji uključuju toplotne efekte (npr. zavarivanje) izvode na rashladnoj jedinici ili bilo kom njenom delu, uvek mora biti na raspolaganju odgovarajuća oprema za gašenje požara. Držite aparat za gašenje suvim prahom ili CO₂ u blizini područja za punjenje.

6. Uklanjanje izvora paljenja

Svako lice koje vrši radove na sistemu hlađenja koji uključuje otvaranje cevovoda ne sme koristiti nikakav izvor požara koji može rezultovati opasnošću od požara ili eksplozije. Svi potencijalni izvori zapaljenja, uključujući pušenje cigareta, moraju se nalaziti na dovoljnoj udaljenosti od mesta ugradnje, popravke, uklanjanja ili odlaganja, jer rashladno sredstvo može ući u okolinu. Pre početka rada procenite okolinu oko uređaja i proverite da nema opasnosti od požara ili paljenja. Treba postaviti znak „zabranjeno pušenje“.

7. Provetravanje površine

Proverite da li je prostor napolju i dobro provetran pre otvaranja ili obavljanja bilo kakvih radova na sistemu. Tokom rada treba održavati određeni nivo ventilacije. Odgovarajuća ventilacija sigurno raspodeljuje ispražnjeno rashladno sredstvo.

8. Provera rashladnog uređaja

Prilikom zamene električnih komponenti, komponente moraju odgovarati svrsi prema važećim propisima. Uvek se pridržavajte uputstava za održavanje i servisiranje. Ako imate sumnje, obratite se tehničkom odeljenju proizvođača za pomoć. Potrebne su sledeće provere na opremi koji koristi zapaljive rashladne tečnosti:

- Stvarno punjenje rashladnog sredstva odgovara veličini prostorije.
- Ventilacione jedinice i otvori rade ispravno i nisu blokirani.
- Oznake na opremi moraju biti u svakom trenutku vidljive i čitljive. Nečitljive oznake i znakovi moraju se ispraviti.
- Cev ili komponente radijatora moraju biti montirane u položaju u kojem nije verovatno da će biti izloženi materijalu koji može korodirati komponente rashladnog sredstva, osim ako komponente nisu napravljene od materijala koji su otporni na koroziju ili koji su na odgovarajući način zaštićeni od korozije.

9. Provera električnih uređaja

Popravak i održavanje električnih komponenti moraju uključivati početne mere zaštite i korake pregleda komponenta. Ako postoji greška koja može ugroziti sigurnost, ne priključujte napajanje na krug sve dok ga ispravno ne popravite. Ako se problem ne može odmah rešiti, ali se operacija mora nastaviti, tada se mora koristiti odgovarajuće privremeno rešenje. Vlasnik opreme mora biti obavešten tako da sve strane budu upoznate sa promenom.

Početni koraci zaštite uključuju:

- Pražnjenje kondenzatora: moraju se sigurno isprazniti, izbegavajući mogućnost varnice
- tokom punjenja, popravljanja ili čišćenja sistema nisu delovi pod naponom

10. Popravka zatvorenih delova

Kada popravljate zatvorene delove, čak i zaptivni poklopac, itd. pre popravke sva napajanja električnom energijom moraju biti isključena iz jedinice. Ako je apsolutno neophodno da se oprema napaja tokom popravke, treba koristiti metodu neprekidne detekcije propuštanja u najkritičnijoj tački kako bi se potencijalno opasne situacije mogle otkriti što je pre moguće.

Posebna pažnja se vodi kako bi se osiguralo da kućište ne bude izmenjeno do te mere da bi uticao na nivo zaštite. Ovo uključuje oštećenja zica, preveliki broj priključaka, terminala koji ne odgovaraju originalnim specifikacijama, oštećenja zaptivača itd.

Proverite da li je uređaj pravilno montiran.

Pazite da zaptivači i zaptivni materijali nisu stari, da se više ne mogu koristiti, da se spreči stvaranje zapaljive atmosfere. Rezervni delovi moraju biti u skladu sa specifikacijama proizvođača.

11. Popravka delova koji ne varniče

Ne priključujte induktivna i kapacitivna opterećenja na uređaj bez toga da niste proverili da li se na uređaj sme priključiti, da ne premašuje dozvoljeni napon.

U prisustvu zapaljivih gasova radovi se smeju izvršavati samo na delovima koji ne prouzrokuju varnice a nalaze se pod naponom. Ispitna oprema mora biti odgovarajuće sertifikacije.

Zamenite samo delove koje je odredio proizvođač. Zamena ostalih komponenti može prouzrokovati zapaljivanje rashladnog sredstva u atmosferi.

12. Kabliranje

Pazite da kablovi nisu izloženi habanju, koroziji, prekomernom pritisku, vibracijama, oštrim ivicama ili drugim štetnim uticajima okoline. Nadzor bi takođe trebalo da uzme u obzir starenje ili izvore neprekidnih vibracija kao što su kompresori ili ventilatori.

13. Detekcija zapaljivih rashladnih gasova

Ni pod kojim uslovima ne treba koristiti potencijalni izvor zapaljenja za lociranje ili otkrivanje curenja rashladnog sredstva. Upotreba halogene baklje (ili bilo kojeg senzora otvorenog plamena) je zabranjena.

14. Pražnjenje

Prodiranje u rashladni krug može se izvršiti korištenjem uobičajenih tehnika za popravku ili druge svrhe. Međutim, u slučaju zapaljivih rashladnih tečnosti, važno je slediti dobru praksu, pošto se radi o zapaljivom materijalu. Treba slediti sledeći postupak:

- uklonite rashladno sredstvo
- očistite krug inertnim gasom
- ispraznite
- ispiranje inertnim gasom
- otvorite rashladni krug sečenjem ili lemljenjem.

Rashladno sredstvo mora biti vraćeno u odgovarajuće boce. Uređaji koji sadrže zapaljivo rashladno sredstvo moraju se isprati azotom bez kiseonika kako bi se osiguralo da je uređaj bezbedan za prijem rashladnog sredstva. Ovaj postupak će možda trebati ponoviti nekoliko puta. Ne koristite komprimovani vazduh ili kiseonik za ispiranje sistema za hlađenje.

Uređaji koji sadrže lako zapaljive rashladne tečnosti moraju se isprati vakumom u sistemu bez azota bez kiseonika, nastavljajući sa punjenjem do radnog pritiska, zatim odzračivanjem u atmosferu i na kraju zaptivanjem. Ovaj postupak se mora ponoviti sve dok u sistemu ne ostane rashladno sredstvo. Kada je završeno poslednje punjenje azota bez kiseonika, sistem mora biti pod prirodnim pritiskom da bi se započeli radovi. Ova operacija je neophodna pre obavljanja lemljenja na cevovodu. Proverite nije li izlaz vakuumske pumpe blizu potencijalnih izvora plamena i da li je ventilacija dovoljna.

15. Proces punjenja

Pored konvencionalnih postupaka punjenja, moraju se ispuniti i sledeći zahtevi.

- Prilikom punjenja uređaja pazite da nije kontaminiran različitim rashladnim sredstvima. Creva ili vodovi moraju biti što kraći da bi se smanjila količina rashladnog sredstva u njima.
- Boce držite u uspravnom položaju prema uputstvima.
- Pre punjenja rashladnim sredstvom, proverite da li je sistem rashladnog sredstva uzemljen.
- Označite sistem kada je punjenje završeno (ako već nije urađeno).
- Posebno treba voditi računa da sistem za hlađenje ne bude preopterećen.

Pre punjenja sistema, pritisak se mora proveriti odgovarajućim gasom za ispiranje. Na kraju punjenja, ali pre puštanja u rad, sistem se mora proveriti zbog curenja. Pre napuštanja lokacije treba izvršiti dodatni test curenja gasa.

16. Stavljanje van upotrebe

Pre obavljanja ovog postupka, obavezno je da osoba koja je upoznata sa opremom bude u potpunosti upoznata sa opremom i njenim detaljima. Dobra je praksa da se sva rashladna sredstva obnavljaju. Pre obavljanja ovog zadatka moraju se uzeti uzorci ulja i rashladnog sredstva ako je potrebna analiza pre ponovne upotrebe rashladnog sredstva. Važno je da električna energija bude dostupna na licu mesta pre početka zadatka.

- a) Upoznajte se sa opremom i njenim radom.
- b) Isključite električno napajanje uređaja.
- c) Pre početka postupka, proverite da:
 - predviđene su mehaničke kontrole za boce za skladištenje rashladnog sredstva
 - sva lična zaštitna oprema je dostupna i pravilno se koristi
 - proces oporavka uvek treba da nadgleda nadležno lice
 - oprema i boce za skladištenje su u skladu sa važećim standardima
- d) Ako je moguće, ispumpajte sistem za hlađenje.
- e) Ako ispumpavanje nije moguće, napravite razdelnik, tako da rashladno sredstvo može biti uklonjeno iz različitih delova sistema.
- f) Pre vraćanja proverite da li je boca na vagi.
- g) Pokrenite mašinu za punjenje i upravljajte je prema uputstvima.
- h) Ne punite boce (do 80% zapremine tečnosti).
- i) Ne prekoračujte maksimalni dozvoljeni radni pritisak boce, čak ni privremeno.
- j) Nakon što su boce pravilno napunjene i postupak je završen, odmah uklonite boce sa mesta i proverite da li su svi ventili za zatvaranje na uređaju zatvoreni.
- k) Ispumpano rashladno sredstvo ne treba stavljati u drugi sistem za hlađenje dok nije očišćeno i provereno.

17. Obeležavanje

Uređaj mora biti obeležen da je ispražnjen i da je van upotrebe. Nalepnica mora biti datirana i potpisana. Za opremu koja sadrži zapaljive rashladne tečnosti, proverite da na nalepnici na uređaju piše da oprema sadrži zapaljivo rashladno sredstvo.

18. Obnavljanje

Kada uklanjate rashladno sredstvo iz sistema u svrhu servisiranja ili stavljanja van pogona, preporučuje se i praktično uklanjanje svih rashladnih sredstava.

Prilikom prebacivanja rashladnog sredstva u boce, pripazite da koristite samo odgovarajuće boce za obnavljanje rashladnog sredstva. Proverite da li ima dovoljno boca da se napuni ceo sistem. Svaka boca koja se koristi označena je i označena za povrat rashladnog sredstva (tj. posebne boce za obnavljanje rashladnog sredstva). Boce moraju imati odgovarajuće i funkcionalne ventile za smanjenje pritiska i pripadajuće ventile za zatvaranje. Oprema za punjenje mora biti u ispravnom stanju i mora biti praćena uputstvima i da može da puni sve odgovarajuće rashladne tečnosti, uključujući, ako je potrebno, zapaljive rashladne tečnosti. Uz to, mora biti dostupan i set dobro kalibriranih vaga. Creva moraju biti u dobrom stanju i opremljena izolacionim čepovima koji ne propuštaju.

Pre upotrebe mašine za istakanje, proverite da li je u radu, da se pravilno održava i da su sve povezane električne komponente zatvorene kako bi se sprečio požar nakon oslobađanja rashladnog sredstva. Ako imate sumnje, obratite se proizvođaču.

Ispumpano rashladno sredstvo mora se vratiti dobavljaču rashladnog sredstva u odgovarajućoj boci, zajedno sa odgovarajućom listom. Ne mešajte rashladne tečnosti a naročito ne u bocama.

Ako je potrebno ukloniti kompresore ili kompresorska ulja, prvo proverite da li su ispražnjeni na prihvatljivom nivou da ne bi bilo zapaljivog rashladnog sredstva u mazivu. Proces pražnjenja mora biti završen pre vraćanja kompresora dobavljaču. Da bi se ubrzao proces, telo kompresora može se zagrevati samo električno. Uvek izlijte ulje iz sistema.

PUŠTANJE U RAD

- Pažljivo odstranite ambalažu da ne bi oštetili uređaj ili priključni kabel. Oštećeni uređaj je zabranjeno koristiti!
- Pre prvog uključanja uređaj treba da se ostavi da miruje sat vremena na točkovima!
- Ukoliko želite koristiti odvodnu cev, montirajte je prema **skici 1**. Za montažu odvodne cevi treba izvaditi gumeni čep sa zadnje strane.
- Priključni kabel odmotajte do kraje i uključite je u standardnu uzemljenu strujnu utičnicu.
- Ovim je uređaj spreman za rad!

ČIŠĆENJE, ODRŽAVANJE

Radi optimalnog rada uređaja u zavisnosti od količine prljavštine uređaj treba redovito čistiti, najređe jedan put mesečno.

1. Pre početka bilo kakve operacije uređaj isključite iz struje izvlačenjem mrežnog kabela iz strujne utičnice!
2. Usisne (4) i izduvne (3) otvore očistite usisivačem i četkom! Sa usisne strane možete izvaditi filter koji se može oprati vodom. **(4. skica)** Samo potpuno osušeni filter stavljajte u uređaj.
3. Vlažnom krpom očistite spoljačnji deo uređaja, ne koristite agresivna hemijska sredstva! Obratite pažnju da ništa ne uciri u unutrašnjost uređaja!

OTKLANJANJE GREŠAKA

Greška	Moguće rešenje
ventilator radi ali kompresor ne	proverite režim rada i podešenu vlažnost vazduha
uređaj prestaje da radi	ispraznite rezervoar
	rezervorar vratite pravilno na svoje mesto
	moгуće je da je tajmer isključio uređaj
velika buka strujanja vazduha	očistite filter vazduha
uređaj ne odstranjuje vlagu na pravilan način	očistite filter vazduha
	otvori za ulaz i izlaz vazduha ne smeju biti prekriveni



Uređaje kojima je istekao radni vek sakupljajte posebno, ne mešajte ih sa komunalnim otpadom, to oštećuje životnu sredinu i može da naruši zdravlje ljudi i životinja! Ovakvi se uređaji mogu predati na reciklažu u prodavnicama gde ste ih kupili ili prodavnicama koje prodaju slične proizvode. Elektronski otpad se može predati i određenim reciklažnim centrima. Ovim štite okolinu, svoje zdravlje i zdravlje svojih sunarodnika. U slučaju nedoumica kontaktirajte vaše lokalne reciklažne centre. Prema važećim propisima prihvatamo i snosimo svu odgovornost.

DŮLEŽITÉ BEZPEČNOSTNÍ POKYNY**TYTO POKYNY SI POZORNĚ PŘEČTĚTE A USCHOVEJTE PRO DALŠÍ POUŽITÍ!****BEZPEČNOSTNÍ UPOZORNĚNÍ**

- Před uvedením produktu do provozu si přečtete návod k používání a pak si jej uschovejte. Původní popis byl vyhotoven v maďarském jazyce.
- Tento přístroj smí osoby se sníženými fyzickými, smyslovými nebo duševními schopnostmi, dále osoby, které nemají příslušné zkušenosti a znalosti, respektive děti ve věku od 8 let používat výhradně v případě, kdy jsou pod dozorem dospělé osoby nebo jestliže byly poučeny o bezpečném používání přístroje a porozuměly nebezpečím spojeným s používáním. Je zakázáno, aby si s přístrojem hrály děti. Čištění nebo běžnou údržbu přístroje smí děti vykonávat až ve věku od 8 let, a to pod dozorem. Přístroj a síťový přívodní kabel nenechávejte v dosahu dětí mladších 8 let!
- **UPOZORNĚNÍ!** Zařízení může být instalováno, používáno a skladováno v místnosti s podlahovou plochou nejméně 4 m². • Ujistěte se o tom, zda se přístroj během přepravy nepoškodil! • Odvlhčovač je určen výhradně k používání v interiérech, nevystavujte jej působení deště. • Nepoužívejte k sušení ani k účelům suchého skladování potravin nebo uměleckých děl! • Přístroj pokládejte výhradně na pevnou, vodorovnou plochu! • Při umísťování přístroje dodržujte minimální vzdálenosti uvedené na obrázku číslo 2! Berte na zřetel aktuální bezpečnostní předpisy platné v dané zemi! • Neumisťujte do blízkosti topného tělesa, kamen, protože sálající teplo by mohlo způsobit poškození přístroje! • Odvlhčovač je zakázáno používat v takovém prostředí, ve kterém se mohou uvolňovat hořlavé plyny nebo výbušný prach! Nepoužívejte v takovém prostředí, kde hrozí nebezpečí požáru nebo exploze! • Přístroj JE ZAKÁZÁNO používat v blízkosti vany, umyvadla, sprchy, bazénu nebo sauny! • Za účelem další ochrany musí být všechny proudové obvody v prostorách, kde je umístěna vana nebo sprcha, vybaveny jedním nebo několika ochrannými spínači-proudovými jističi (RCD) s nominální hodnotou alespoň 30 mA! Požádejte o pomoc odborníka! • Odvlhčovač je zakázáno používat v automobilech nebo v úzkých (< 5 m²), uzavřených prostorách (např. výtah)! • Přístroj není dovoleno používat současně s takovými programovými spínači, časovači nebo samostatně dálkově ovládanými systémy, apod., které by mohly přístroj samostatně zapnout. • Zapojovat je dovoleno výhradně do uzemněné zásuvky ve zdi s napětím 230 V~ / 50 Hz! • Napájecí kabel odmotejte v celé délce! • Přístroje ani napájecího kabelu se nikdy nedotýkejte mokřými rukama! • K zapojování přístroje nepoužívejte prodlužovací kabel nebo rozdvojkou! • Odvlhčovač umístěte tak, aby zástrčka byla vždy snadno přístupná a snadno vytažitelná ze zásuvky ve zdi! • Napájecí kabel vždy pokládejte takovým způsobem, aby nebylo možné jeho náhodné vytažení ze zásuvky ve zdi, respektive aby nehrozilo nebezpečí zakopnutí o kabel! • Napájecí kabel nepokládejte pod koberec, rohožku, apod! • Přístroj umístěte tak, aby zástrčka byla vždy snadno přístupná a snadno vytažitelná ze zásuvky ve zdi! • Přívodní kabel pokládejte vždy tak, aby jej nebylo možné náhodně odpojit ze zásuvky, respektive aby nevisel z okraje stolu! • Nikdy nezakrývejte otvory pro vstup a výstup vzduchu! • Dbejte na to, aby se do přístroje prostřednictvím otvorů nedostaly žádné předměty ani tekutiny. • Vodu, která se shromáždila v přístroji, vždy vylejte, nikdy nepoužívejte tuto vodu na žádné jiné účely! • Upozornění! Zamezte tomu, aby se zástrčka nedostala do kontaktu se stříkající vodou! • Přívodní kabel nepokládejte přes ostré hrany a dbejte na to, aby se nedostal do kontaktu s horkými povrchy. • Přístroj vždy odpojte ze zásuvky elektrické sítě, jestliže jej necháte bez dozoru, dále před smontováním a demontováním, respektive před čištěním. • Nebudete-li přístroj delší dobu používat, vypněte jej a potom přívodní kabel vytáhněte ze zásuvky ve zdi! Přístroj skladujte na suchém, chladném místě! • Při vytahování ze zásuvky ve zdi kabel vždy uchopte za zástrčku, nikdy netahejte jenom za kabel. • Vzhledem k neustálým zlepšováním se mohou technické údaje a konstrukce měnit bez předchozího upozornění. • Aktuální uživatelskou příručku si můžete stáhnout z www.somogyi.hu. • Neneseme zodpovědnost za případné chyby v tisku, omlouváme se. • Určeno k používání v domácnosti, není určeno k používání v průmyslových podmínkách!



Nebezpečí úrazu elektrickým proudem!

Rozebírání a přestavba přístroje nebo jeho příslušenství je zakázáno! Při poškození kterékoliv části ihned odpojte ze sítě a vyhledejte odborníka!



Jestliže dojde k poškození přípojného síťového vodiče, výměnu je oprávněn provádět výhradně výrobce, servisní služba výrobce nebo podobně odborně vyškolená osoba!



Upozornění! Nebezpečí požáru!

Tento symbol označuje, že přístroj obsahuje hořlavé chladicí médium! Dojde-li k úniku tohoto chladicího média a kontaktu se zdrojem ohně, vzniká riziko požáru!



Tento symbol označuje, že je nutné si pozorně přečíst návod k používání!



Tento symbol sděluje pracovníkovi odborného servisu, aby s přístrojem zacházel výhradně v souladu s pokyny týkajícími se uvedení do provozu.



Tento symbol označuje, že jsou k dispozici informace týkající se návodu k používání a uvedení do provozu.



DALŠÍ UPOZORNĚNÍ PRO PŘÍSTROJE PLNĚNÉ CHLADIVEM R290

Před uvedením do provozu

Za účelem zamezení poškození umístěte přístroj před uvedením do provozu na dobu alespoň 24 hodin do svislé polohy. Ujistěte se o tom, aby výstupní a vstupní otvory vzduchu nebyly nikdy uzavřeny. Přístroj použijte výhradně na vodorovné ploše, tak zajistíte, aby z přístroje nikdy neunikala voda.

Upozornění

- Odpor zdroje proudu zapojeného k přístroji nesmí nikdy překročit hodnotu 0,236 ohmů. Pokud neučiníte takové opatření, může dodavatel proudu zavést omezení týkající se odběrního místa. Jestliže používání přístroje překročí hodnotu 0,236 ohmů, konzultujte situaci s dodavatelem elektrické energie.
- Každá osoba, která se bude podílet na pracích spojených s chladicím médiem nebo proudovým okruhem chladicího média, respektive demontuje systém, musí disponovat aktuálním a platným oprávněním k této činnosti, vystaveným akreditovaným odborným orgánem v daném průmyslovém sektoru.
- Při likvidaci obalových materiálů přístroje, respektive po skončení doby životnosti přístroje, berte na zřetel ochranu životního prostředí.
- Přístroj skladujte jen na dobře větratelném místě, jehož rozloha odpovídá minimální rozloze definované v části o provozování přístroje.
- Přístroj skladujte tak, aby bylo zamezeno jeho poškození.
- Všechny potřebné větrací otvory musí být udržovány vždy volně.
- Servisní práce je dovoleno provádět výhradně podle doporučení výrobce.
- Je-li zapnuté mobilní klimatizační zařízení nebo odvlhčovač vzduchu, pak ventilátor funguje plynule, stabilně za standardních podmínek, a měl by mít kapacitu proudění vzduchu minimálně 100 m³/hodinu i v případě, když je kompresor vypnutý z důvodu regulace teploty.
- Přístroj nepropichujte, nezapalujte.
- K odmrazení a čištění používejte výhradně metody a pracovní nástroje doporučené výrobcem.
- Nepropichujte žádnou část chladicího okruhu! Chladicí médium může být bez zápachu.
- Upozornění: Za účelem eliminace nebezpečí požáru a zásahu elektrickým proudem nepoužívejte přístroj s regulátorem výkonu polovodičového typu!

Další upozornění k přístrojům obsahujícím chladicí plyn R290 (druh používaného plynu zkontrolujte na datovém štítku)



**POZOR! NEBEZPEČÍ POŽÁRU!
PŘEDTÍM, NEŽ VÝROBEK ZAČNETE POUŽÍVAT, SI
POZORNĚ PŘEČTĚTE UŽIVATELSKÝ MANUÁL!**

Chladicí plyn R290 splňuje požadavky evropských směrnic o ochraně životního prostředí. Toto zařízení obsahuje přibližně 35 g chladicího plynu R290. Základní rozloha místnosti předepsaná k instalaci, provozování a skladování přístroje musí být větší než 4 m².

Pokyny k opravě přístrojů obsahujících plyn R290

1. Kontrola prostoru

Před zahájením prací na systémech obsahujících hořlavá chladicí média je zapotřebí provést bezpečnostní kontroly, za účelem minimalizace nebezpečí vznícení. Před opravou chladicího systému je nutné učinit následující preventivní opatření.

2. Pracovní postup

Práce je nutné provádět podle kontrolovaného postupu, aby riziko přítomnosti hořlavých plynů a par během prací bylo omezeno na minimum.

3. Běžný pracovní prostor

Personál údržby a všechny osoby, které na místě provádějí jiné práce, musí být informovány o charakteru prováděných prací. Vyvarujte se provádění pracovních úkonů v úzkých prostorech!

4. Kontrola přítomnosti chladicího média

Před zahájením, během provádění a po skončení prací musí být prostor zkontrolován vhodným senzorem za účelem zjištění přítomnosti chladicího média, aby byl technický pracovník informován o možném potenciálním toxickém nebo hořlavém prostředí. Ujistěte se o tom, že používaný senzor úniku plynů je vhodný k používání se všemi možnými chladicími médii, tzn. nejkřikí, je správně uzavřený nebo odolný vůči jiskrám.

5. Hasicí přístroj

Je-li na chladicím zařízení nebo na jakékoli jeho části zapotřebí provádět práce spojené s působením teploty (např. svařování), musí být vždy na místě k dispozici vhodné hasicí vybavení. Do pracovního prostoru umístěte hasicí přístroj naplněný suchým práškem nebo CO₂.

6. Odstranění zdrojů ohně

Osoba, která provádí na chladicím systému takové práce, které jsou spojeny s otevřením systému trubek, nesmí používat žádné zdroje ohně, které by mohly způsobit požár nebo situaci s rizikem exploze.

Všechny potenciální zdroje ohně a vznícení, včetně činností jako je kouření cigaret, musí být umístěny, respektive prováděny v dostatečné vzdálenosti od místa instalace, opravy, demontáže a likvidace zařízení, jelikož během těchto prací se do okolního prostředí může uvolňovat chladicí médium. Před zahájením prací zkontrolujte okolí přístroje a ujistěte se o tom, že nehrozí nebezpečí požáru nebo vznícení. Je zapotřebí zajistit umístění výstražné tabule „Zákaz kouření“.

7. Větrání prostoru

Zajistěte, aby se prostor nacházel ve volném prostředí a byl v potřebné míře větraný, ještě předtím, než

systém otevřete nebo na systému zahájíte jakoukoli práci. Také během prací je zapotřebí zajistit větrání na určitém stupni. Větrání zajistí bezpečné rozptěnění emisí chladicího média a odvede je mimo daný prostor.

8. Kontrola chladicího zařízení

Výměna elektrických součástí musí odpovídat danému účelu a příslušným předpisům. V každém případě je nutné postupovat podle pokynů výrobce týkajících se údržby a servisních prací. V případě pochybností požádejte o pomoc technické oddělení výrobce. Na zařízeních, která používají hořlavá chladicí média, se provádějí následující kontroly:

- Množství použitého chladicího média odpovídá rozměrům místnosti.
- Větrací zařízení a výstupy fungují správně a nejsou blokovány.
- Označení na zařízení musí být neustále viditelná a čitelná. Nečitelná označení a znaky je nutné opravit.
- Chladicí trubka nebo součástky musí být smontovány v takové pozici, ve které nebudou pravděpodobně vystaveny působení takových materiálů, které mohou způsobit korozi částí, ve kterých se nachází chladicí médium, vyjma případů, kdy jsou tyto části vyrobeny z takových materiálů, které jsou odolné proti korozi nebo jsou odpovídajícím způsobem chráněny před korozi.

9. Kontrola elektrických přístrojů

Oprava a údržba elektrických součástí musí zahrnovat počáteční bezpečnostní úkony, respektive kontrolu součástí. Je-li zjištěna taková závada, která ohrožuje bezpečnost, je zakázáno proudový okruh zapojit do elektrické sítě, dokud nebude závada odborně odstraněna. Pokud není možné závadu ihned odstranit, ale je zapotřebí pokračovat v dané operaci, je nutné použít vhodný dočasný postup. Tento je nutné oznámit majiteli zařízení, aby všechny zúčastněné strany byly informovány o provedené úpravě.

Počáteční bezpečnostní úkony zahrnují:

- vybití kondenzátorů: bezpečně provedené, bez rizika vzniku jisker
- při plnění, opravě nebo čištění systému není žádná součástka nebo kabely, které jsou pod napětím, volně přístupné

10. Oprava skrytých součástí

Při opravě skrytých součástí je nutné od opravovaného přístroje odpojit všechny elektrické napájecí jednotky, a to ještě před demontáží uzavřeného krytu apod. Pokud je nezbytné, aby přístroj během opravy dostával napájecí napětí, pak je nutné na nejvíce kritickém bodě použít metodu neustálé kontroly úniku média, aby bylo možné co nejdříve identifikovat potencionálně nebezpečné situace.

Přitom je nutné zvlášť věnovat pozornost tomu, aby při práci na dané součásti nenastaly na krytu přístroje změny v takovém rozsahu, který by měl vliv na stupeň ochrany. Včetně poškození kabelů, přílišného počtu přípojek, sériových zapojení nesplňujících původní předpisy, poškození těsnění apod.

Zkontrolujte, zda je přístroj správně instalován.

Ujistěte se o tom, zda nedošlo k opotřebení těsnění a těsnících materiálů v takovém rozsahu, že je již nelze použít pro účely zamezení vzniku hořlavého prostředí. Náhradní součástky musí splňovat předpisy výrobce.

11. Oprava součástí, které nepředstavují riziko jiskření

Nezapínejte do proudového okruhu stálé indukční nebo kapacitní zatížení bez toho, že byste se neujistili o tom, že toto zatížení nepřesáhne hodnoty napětí a proudu, které jsou v případě používaného zařízení povolené.

Jsou-li v ovzduší přítomné hořlavé látky, pak je dovoleno pod napětím pracovat výhradně na nejmiskřivých součástkách. Testovací zařízení musí mít odpovídající osvědčení.

Součástky vyměňujte výhradně za náhradní součástky určené výrobcem. Jiné součástky mohou z důvodu možného úniku způsobit vznícení chladicího média v ovzduší.

12. Kabely

Zkontrolujte, zda kabely nejsou vystaveny oděru, korozi, přílišnému tlaku, vibracím, působení ostrého větru nebo jiných škodlivých vlivů okolního prostředí. Při kontrole je nutné věnovat pozornost stárnutí materiálu nebo zdrojům takových stálých vibrací, jako jsou například kompresory nebo ventilátory.

13. Detekce hořlavých chladicích médií

Při detekování nebo zjištění úniku chladicího média je v každém případě zakázáno používat potencionální zdroje vznícení. Je zakázáno používat halidové louče (nebo jiné detektory na bázi otevřeného ohně).

14. Vyprázdnění

Zásahy do chladicího okruhu prováděné za účelem opravy nebo z jiného důvodu lze provádět výhradně při použití klasických postupů. V případě hořlavých chladicích médií je však důležité dodržovat zavedenou praxi, jelikož zde je hlediskem i hořlavost. Je nutné dodržovat níže uvedený postup:

- odstraňte chladicí médium
- proudový okruh vyčistěte inertním plynem
- vyprázdňte
- propláchněte inertním plynem
- chladicí okruh otevřete řezem nebo tvrdým pájením.

Chladicí médium musí být shromážděno do vhodných lahví. V případě přístrojů obsahujících hořlavé chladicí médium je nutné systém propláchnout dusíkem bez obsahu kyslíku, aby byla zajištěna bezpečnost přístroje z hlediska použití hořlavého chladicího média. Je možné, že tento postup bude nutné několikrát zopakovat.

K proplachování chladicích systémů nepoužívejte stlačený vzduch nebo kyslík.

V případě přístrojů obsahujících hořlavé chladicí médium je nutné proplachování provádět tak, že vakuum v systému bude narušeno dusíkem bez obsahu kyslíku a systém tak bude naplněn až do dosažení provozního tlaku, potom bude látka vypuštěna do ovzduší, a nakonec bude systém opět vakuován. Tento postup je nutné opakovat tak dlouho, dokud bude v systému zůstat chladicí médium. Když bude prováděno poslední plnění dusíkem bez obsahu kyslíku, je nutné systém umístit pod tlak ovzduší, aby bylo možné začít s pracemi. Tento proces je nutné provést před operacemi tvrdého pájení na potrubí. Ujistěte se o tom, že výstup vakuového čerpadla se nenachází v blízkosti potencionálních zdrojů vznícení a že je zajištěno správné větrání.

15. Postup při plnění

Vedle dodržení klasických způsobů plnění je nutné dodržet následující podmínky:

- Dbejte na to, aby během plnění nedošlo ke znečištění přístroje různými chladicími médii. Hadice nebo vedení musí být co nejkratší, aby bylo minimalizováno množství obsahu chladicího média.
- Lahve musí být umístěny v odpovídající poloze, podle daných pokynů.
- Před zahájením plnění chladicím médiem zkontrolujte, zda je chladicí systém uzemněný.
- Po dokončení plnění systém označte (pokud jste tak ještě neučinili).
- Věnujte zvláštní pozornost tomu, aby nedošlo k přeplnění chladicího systému.

Před opakovaným plněním systému je zapotřebí vhodným proplachovacím plynem zkontrolovat tlak. Po dokončení plnění, ale ještě před uvedením do provozu, je nutné systém zkontrolovat zkouškou úniku média.

Předtím, než z daného místa odejdete, proveďte další zkoušku úniku média.

16. Vyřazení z provozu

Předtím, než bude tato operace provedena, je nutné, aby odborně vyškolená osoba kompletně prohlédla systém, včetně všech detailů. Doporučenou praxi je bezpečně odčerpání veškerého chladicího média. Před provedením tohoto úkonu je nutné odebrat vzorek oleje a chladicího média, pokud je před opětovným použitím odčerpaného chladicího média nutné provést analýzu.

Je důležité, aby před zahájením tohoto úkonu byl na daném místě k dispozici elektrický proud.

a) Obeznamte se se zařízením a jeho fungováním.

b) Systém odpojte z elektrické sítě.

c) Před zahájením úkonu zkontrolujte, zda:

- jsou k dispozici mechanické prostředky potřebné k lahvím na chladicí médium, jsou-li tyto zapotřebí
- jsou k dispozici všechny ochranné pracovní prostředky, a zda jsou tyto používány správně
- je přítomná vyškolená osoba, která bude dohlížet na proces odčerpávání
- zařízení a lahve určené k odčerpání splňují příslušné normy

d) Odčerpajte chladicí systém, je-li to možné.

- e) Pokud není možné provést vakuování, připravte si trubici, aby bylo možné odčerpat chladicí médium z různých částí systému.
- f) Před odčerpáváním zkontrolujte, zda je lahev umístěna na váze.
- g) Spusťte zařízení používané k odčerpávání a postupujte podle příslušných pokynů.
- h) Lahve nepřepřlňte (mohou být naplněny nejvýše do 80 % objemu).
- i) Maximálně povolený provozní tlak lahve nepřekračujte ani dočasně.
- j) Po správném naplnění lahví a dokončení postupu neprodleně odstraňte lahve z daného prostoru a zkontrolujte, zda jsou zavřeny všechny uzavírací ventily zařízení.
- k) Odčerpané chladicí médium je dovoleno naplnit do jiného chladicího systému až poté, kdy bylo toto médium vyčištěno a zkontrolováno.

17. Štítky

Na zařízení je nutné vyznačit, že bylo umístěno mimo provoz a že bylo odčerpáno chladicí médium. Na štítku musí být uvedeno datum a podpis. V případě zařízení obsahujícího hořlavé chladicí médium věnujte pozornost tomu, aby na štítku byla uvedena informace, že v zařízení se nachází hořlavé chladicí médium.

18. Odčerpání

Při odstraňování chladicího média ze systému za účelem provedení servisních prací nebo vyřazení z provozu je doporučováno praktické řešení pro bezpečné odčerpání veškerého chladicího média.

Při ukládání chladicího média do lahví dbejte na to, abyste k tomuto účelu používali jen vhodné lahve, určené ke skladování daného chladicího média. Zkontrolujte, zda máte k dispozici počet lahví potřebný k naplnění celého systému. Všechny lahve jsou určeny na odčerpávání chladicího média a jsou správně označeny (tedy speciální lahve používané na odčerpávání chladicího média). Lahve jsou opatřeny odpovídajícím a funkčním ventilem určeným ke snižování tlaku a také uzavíracími ventily.

Odčerpávací zařízení musí být v dobrém a funkčním stavu, jsou k dispozici příslušné pokyny a zařízení je vhodné k odčerpávání všech chladicích médií, včetně hořlavých chladicích médií. Kromě toho musí být k dispozici sada funkčních a kalibrovaných vah. Hadice musí být v dobrém stavu, musí být opatřeny těsnícími přípojkami.

Předtím, než začnete používat zařízení určené k odčerpávání, zkontrolujte, zda je toto zařízení provozuschopné, zda bylo pravidelně udržováno, zda jsou uzavřeny všechny elektrické součástky, aby v případě úniku chladicího média bylo zamezeno případnému vznícení. V případě jakýchkoli pochybností kontaktujte výrobce. Odčerpané chladicí médium je nutné v odpovídajících lahvích vrátit dodavateli chladicího média, včetně příslušného listu pro přepravu odpadního materiálu. Chladicí médium nemíchejte v odčerpávacích jednotkách, zvláště ne v lahvích.

Je-li nutné odstranit kompresory nebo kompresorové oleje, ještě předtím zkontrolujte, zda byly tyto odčerpány v požadovaném rozsahu, abyste se ujistili, že v mazivu nezůstaly hořlavé látky. Proces odčerpání je nutné provést ještě před zpětným odesláním kompresorů dodavatelům. Za účelem urychlení procesu je dovoleno těleso kompresoru zahřívát výhradně elektrickou cestou. Vypouštění oleje ze systému musí být vždy prováděno bezpečným způsobem.

UVEDENÍ DO PROVOZU

- Před uvedením přístroje do provozu opatrně odstraňte veškeré balící materiály tak, abyste nepoškodili přístroj nebo přívodní kabel. V případě jakéhokoli poškození je zakázáno přístroj uvádět do provozu!
- Před prvním zapnutím nechte přístroj po dobu jedné hodiny postavený na kolečka!
- Jestliže chcete používat hadici na odvádění vody, pak hadici zapojte na místo podle vyobrazení na **obrázku číslo 1**. Předtím však musíte vytáhnout pryžovou zátku umístěnou v zadní části přístroje.
- Zcela odmotaný síťový přívodní kabel zapojte do standardní uzemněné zásuvky elektrické sítě ve zdi.
- Nyní je přístroj připraven k používání.

ČIŠTĚNÍ, ÚDRŽBA

Za účelem optimálního provozu přístroje je nutné v závislosti na stupni znečištění pravidelně avšak alespoň jednou za měsíc, provádět čištění přístroje.

1. Před čištěním přístroj vypněte a odpojte z elektrické sítě vytažením přívodního kabelu ze zásuvky!
2. Vstupní (4) a výstupní (3) otvory umožňující proudění vzduchu čistěte vysavačem! Filtr vyjmete otvorem určeným ke vstupu vzduchu, potom filtr vyperte v čisté vodě (4. obrázek). Zpátky do přístroje vkládejte pouze zcela suchý filtr.
3. Abyste dosáhli lepšího efektu při čištění, v místě vstupního otvoru pro proudění studeného vzduchu otevřete mřížku a vyjměte hustě tkanou síťku. Síťku důkladně propláchněte pod proudem tekoucí vody a nechte dokonale uschnout, potom můžete síťku vrátit zpátky na místo a upevnit mřížkou.

ODSTRANĚNÍ ZÁVAD

Popis závady	Možné odstranění závady
ventilátor funguje, ale kompresor nefunguje	Zkontrolujte provozní režim a nastavenou hodnotu vlhkosti vzduchu.
hluk odsávání je velmi intenzivní	Vyprázdněte nádrž na vodu.
	Nádrž na vodu vložte přesně na původní místo.
	Je možné, že přístroj byl vypnut prostřednictvím časovače.
hluk odsávání je velmi intenzivní	Vyčistěte vzduchový filtr.
přístroj neodvlhčuje vzduch	Vyčistěte vzduchový filtr.
	Vstupní a výstupní otvory pro proudění vzduchu nesmí být zakryty.



LIKVIDACE

Přístroje, které již nebudete používat, shromažďujte zvlášť a tyto nevhazujte do běžného komunálního odpadu, protože mohou obsahovat látky nebezpečné pro životní prostředí nebo škodlivé lidskému zdraví! Nepotřebné nebo nepoužitelné přístroje můžete zdarma odevzdat v místě distribuce, respektive u všech takových distributorů, kteří se zabývají prodejem zařízení, která mají stejné parametry a funkci. Odevzdat můžete i na sběrných místech určených ke shromažďování elektronického odpadu. Tak chráníte životní prostředí, své zdraví a zdraví ostatních. V případě jakéhokoli dotazu kontaktujte místní organizaci zabývající se zpracováváním odpadu. Úlohy předepsané příslušnými právními předpisy vztahujícími se na výrobce vykonáváme a neseme s tímto spojené případné náklady.

VAŽNE SIGURNOSNE UPUTE

PAŽLJIVO PROČITAJTE UPUTSTVO ZA UPUTE PRIJE UPORABE I SAČUVAJTE IH ZA DALJNJU UPORABU!

UPOZORENJA

- Prije korištenja proizvoda pročitajte, odnosno sačuvajte uputu za uporabu. Originalna uputa je pripremljena na mađarskom jeziku.
- Uređaj trebaju koristiti osobe sa oslabljenim fizičkim, mentalnim ili osjetnim sposobnostima, ili one sa nedostatkom iskustva ili znanja, kao što su djeca u dobi od 8 godina ako su pod nadzorom ili ako su dobili upute o korištenju uređaja od strane osoba koje su odgovorne za njihovu sigurnost te su shvatili opasnost koja je povezana sa uporabom. Djeca se ne bi trebala igrati sa uređajem. Djeca od 8 godina bi mogla održavati i čistiti uređaj pod nadzorom odraslih osoba. Djeca mlađa od 8 godine ne bi trebala imati kontakt sa uređajem niti sa njegovim kablom za napajanje.
- **PAŽNJA!** Uređaj se može postaviti, koristiti i skladištiti u prostoriji s površinom od najmanje 4 m². • Provjerite je li uređaj oštećen u transportu. • Uređaj je predviđen za unutarnju uporabu, ne izlagati kiši. • Ne koristite ga za sušenje ili čuvanje suhe hrane ili umjetničkih djela. • Uređaj postavljajte samo na čvrstu i vodoravnu površinu.
- Pridržavajte se minimalnih ugradbenih udaljenosti prikazanih u Sl. 2. Uvijek poštujujte zdravstvene i sigurnosne propise koji vrijede u zemlji korištenja. • Ne stavljajte ga blizu grijalica ili peći, toplinsko zračenje može oštetiti uređaj. • Ne koristite na mjestima gdje mogu biti prisutni zapaljivi plinovi i prašine. Ne koristite u blizini zapaljivih materijala ili potencijalno eksplozivnom okruženju. • **ZABRANJENO** je uređaj koristiti u blizini kade, umivaonika, tuševa, bazena ili saune. • Kao dodatna zaštita, u prostorijama s kadom ili tušem svaki strujni krug mora biti zaštićen jednim ili više osigurača (RCD-a) s nazivnom strujom od 30 mA ili manjom. Posavjetujte se sa električarom. • Zabranjena uporaba u motornim vozilima i skućenim prostorima (-5 m²) kao što su dizala).
- Uređaj se ne smije koristiti s programabilnim timerima, timer prekidačima ili zasebnim daljinsko upravljanim sustavima koji uređaj mogu automatski uključiti. • Uređaj mora biti priključen na 230 V~ / 50 Hz električnu zidnu utičnicu. • U potpunosti odmotajte kabel za napajanje. • Ne dodirujte uređaj ili kabel za napajanje mokrim rukama. • Za priključivanje uređaja nemojte koristiti produžne kabele ili razdjelnike napajanja. • Uređaj treba biti pozicioniran tako da omogućava jednostavan pristup i uklanjanje utikača. • Postavite kabel za napajanje tako da se spriječi da se slučajno izvuče ili da se spotaknete o njega. • Ne postavljajte kabel za napajanje ispod tepiha i vrata i sl. • Uređaj treba raditi pod stalnim nadzorom. • Uređaj ne smije da radi u blizini djece bez nadzora.
- Ne prekrivajte ulazne i izlazne otvore uređaja. • Provjerite da nema stranih predmeta ili tekućina koje mogu ući u uređaj kroz otvore. • Sakupljenu vodu treba odbaciti, ne koristiti je ni u kakve druge svrhe. • Upozorenje! Izbjegavajte prskanje vode na / u zidnu utičnicu. • Ako otkrijete neku nepravilnost u radu (npr. neobičan zvuk ili miris izgorjenog iz uređaja), odmah ga isključite i isključite utikač. • Uvijek uklonite utikač iz utičnice, ako ga ostavite bez nadzora, kao i prije rastavljanja, sastavljanja i čišćenja. • Ako ne planirate koristiti uređaj, isključite ga i izvucite kabel napajanja iz el. utičnice. Spremite uređaj na suhom i hladnom mjestu. • Isključite kabel za napajanje iz el. mreže povlačenjem utikača, ne povlačenjem kabela. • Zbog stalnog poboljšanja, dizajn i specifikacije mogu se promijeniti bez prethodne najave. • Korisničke upute možete preuzeti sa web stranice www.somogyi.hu. • Ne preuzimamo odgovornost za tiskarske pogreške i ispričavamo se ako ih ima. • Uređaj je namijenjen samo za kućnu uporabu. Industrijska uporaba nije dozvoljena.



Opasnost od strujnog udara! Zabranjeno je rastaviti, modificirati uređaj ili njegov pribor! U slučaju oštećenja bilo kog dijela proizvoda, odmah ga isključite iz struje i obratite se stručnoj osobi!



Ako se priključni kabel za struju ošteti, njegovu zamjenu može izvršiti isključivo proizvođač, njegov serviser ili stručna osoba koja je obučena na odgovarajući način!



Upozorenje! Rizik od požara!

Ovaj simbol pokazuje da ovaj uređaj koristi zapaljivo rashladno sredstvo. Ako rashladno sredstvo procuri i izloženo je vanjskom izvoru paljenja, postoji opasnost od požara.



Ovaj simbol pokazuje da upute za uporabu treba pažljivo pročitati.



Ovaj simbol pokazuje da servisno osoblje treba rukovati s ovom opremom u skladu s uputama za ugradnju.



Ovaj simbol pokazuje da su dostupne informacije poput upute za uporabu ili priručnika za instalaciju.



DODATNO UPOZORENJE ZA UREĐAJ S RASHLADNIM PLINOM R290

Prije puštanja u rad

Da biste izbjegli kvarove, postavite uređaj u uspravan položaj najmanje 24 sata prije pokretanja. Obavezno osigurajte da dovod i odvod zraka nikada nisu blokirani. Uređaj da radi samo na vodoravnoj površini kako biste osigurali da ne istječe voda.

Upozorenja

- Ne prekoračujte impedansu veću od 0,236 ohm na napajanju s kojim je uređaj spojen. Nepoštivanje propisa može dovesti do ograničenja opskrbe napajanje i povezivanja. Molimo, konzultirajte svoju elektro distribuciju ako upotreba opreme prelazi 0,236 ohm.
- Svaka osoba koja je uključena u rad s rashladnim sredstvom trebala bi posjedovati važeću potvrdu nadležnog tijela za certificiranje. Tim certifikatom se potvrđuje njihova sposobnost rada i sigurnošću rashladnih sredstava u skladu s industrijskim priznatim specifikacijama.
- Pazite na okoliš kada odlažete ambalažu uređaja i kad uređaj dosegne kraj radnog vijeka.
- Upozorenje, aparat treba skladištiti u dobro prozračenom prostoru čija veličina odgovara površini prostorije kako je određeno za rad.
- Uređaj skladištiti tako da se spriječi mehaničko oštećenje.
- Upozorenje, otvori za ventilaciju da se ne blokiraju;
- Obavijest, servisiranje se smije obavljati samo prema preporuci proizvođača;
- Kada je uključen prijenosni klima uređaj ili odvlaživač zraka, ventilator radi normalno i stabilno u normalnim uvjetima kako bi osigurao minimalni volumen zraka od 100 m³ / h, čak i kada je kompresor zatvoren zbog regulatora temperature.
- Ne probijajte i ne palite.
- Za odmrzavanje ili čišćenje koristite samo one uređaje koje je preporučio proizvođač
- Ne perforirajte nijednu komponentu u krugu rashladnog sredstva. Plin može biti bez mirisa
- Budite pažljivi prilikom spremanja uređaja kako biste spriječili mehaničke kvarove.
- Rokovanje rashladnim sredstvima treba da radi samo osoba ovlaštena od strane ovlaštene agencije koja potvrđuje sposobnost rukovanja rashladnim sredstvima u skladu sa sektorskim zakonodavstvom..
- Svi se popravci moraju izvoditi u skladu s preporukama proizvođača.
- Održavanje i popravci koji zahtijevaju pomoć drugog kvalificiranog osoblja moraju se izvoditi pod nadzorom struč-

njaka za uporabu zapaljivih rashladnih sredstava.

• Ne perforirajte nijednu komponentu u krugu rashladnog sredstva. Plin može biti bez mirisa.

Dodatno upozorenje za uređaj s rashladnim plinom R290 (pogledajte pločicu za vrstu upotrijebljenog rashladnog plina)



**OPREZ ZAPALJIVO
PAŽLJIVO PROČITAJTE PRIRUČNIK
PRIJE UPOTREBE UREĐAJA**

R290 rashladni plin u skladu je s europskim direktivama o okolišu. Ovaj uređaj sadrži otprilike 35 g R290 rashladnog plina. Aparat treba montirati, raditi i skladištiti u prostoriji s površinom većom od 4 m².

Upute, Popravak uređaja koji sadrže R 290

1. Provjera područja

Prije početka rada na sustavima koji sadrže zapaljive rashladne tvari potrebne su sigurnosne provjere kako bi se smanjio rizik od paljenja. Za popravak rashladnog sustava prije provođenja radova na sustavu moraju se ispuniti sljedeće mjere opreza.

2. Postupak rada

Radove izvoditi u kontroliranim uslovima kako bi se umanjio rizik od zapaljenja plina ili pare tijekom izvođenja radova..

3. Radni prostor

Svo osoblje za održavanje i ostali koji rade u tom području bit će poučeni o prirodi posla koji se izvodi. Treba izbjegavati rad u skućenim prostorima.

4. Provjera na prisustvo rashladnog sredstva

Prije i za vrijeme rada područje se provjerava odgovarajućim detektorom rashladnog sredstva kako bi se osiguralo da tehničar zna za prisustvo potencijalno otrovnih ili zapaljivih plinova. Osigurajte da je oprema za otkrivanje istjecanja koja se koristi bila prikladna za upotrebu sa svim primjenjivim rashladnim sredstvima, tj. nezapaljivim, odgovarajuće brtvljenim ili sa svojtvenom sigurnošću.

5. Prisutnost aparata za gašenje požara

Ako se na rashladnoj opremi ili bilo kojem drugom pripadajućem dijelu treba uzraditi bilo koji zahvat koji stvara toplotu, na raspolaganju treba biti odgovarajuća oprema za gašenje požara. Suhi prah ili CO₂ aparat za gašenje požara budu blizu područja rada.

6. Nema izvora paljenja

Niti jedna osoba koja izvodi radove u vezi s rashladnim sustavom koji uključuje izlaganje bilo kakvih radova na cijevima ne smije koristiti izvore zapaljenja na takav način koji može dovesti do opasnosti od požara ili eksplozije. Svi mogući izvori paljenja, uključujući pušenje cigareta, trebaju se držati dovoljno daleko od mjesta ugradnje, popravka, uklanjanja i odlaganja, tijekom kojih se rashladno sredstvo može ispuštati u okolni prostor. Prije izvođenja radova potrebno je pregledati područje oko opreme kako bi se osiguralo da nema zapaljivih opasnosti ili rizika od paljenja. Obavijestiti znakom „No Smoking“.

7. Prozračeno područje

Osigurajte da je rad na otvorenom ili da je dovoljno prozračen prostor prije ulaska u sustav hlađenja ili obavljanja radova koji kod kojih se oslobađa toplina. Stupanj ventilacije će se nastaviti i tijekom razdoblja u kojem se radovi izvode. Prozračivanjem treba sigurno raspršiti svako ispušteno rashladno sredstvo i poželjno ga izbaciti van u atmosferu.

8. Provjere rashladne opreme

Ako se električni dijelovi mijenjaju, moraju biti u skladu s namjenom i u skladu s pravilima. U svakom trenutku se moraju pridržavati proizvođačkih smjernica za održavanje i servisiranje. Ako imate dvojbe, obratite se tehničkom odjelu proizvođača.

Sljedeće provjere provodi se na instalacijama koje koriste zapaljive rashladne tvari:

- stvarno punjenje rashladnog sredstva u skladu je s veličinom prostorije unutar koje su ugrađeni dijelovi koji sadrže rashladno sredstvo;
- ventilacijski strojevi i otvori rade ispravno i nisu blokirani;
- Označavanje na opremi da je vidljivo i čitljivo. Oznake i znakovi koji su nečitljivi moraju se ispraviti;
- rashladna cijev ili komponente instaliraju se na mjestu u kojem nije vjerojatno da će biti izloženi bilo kojoj tvari koja bi mogla korodirati komponente koje sadrže rashladno sredstvo, osim ako komponente nisu izrađene od materijala koji su otporni na koroziju ili su na odgovarajući način zaštićeni od korozije.

9. Provjere električnih uređaja

Popravlak i održavanje električnih komponenti uključuju početne sigurnosne provjere i postupke pregleda komponenta. Ako postoji greška koja bi mogla ugroziti sigurnost, tada nijednnaponska mreža neće biti priključena na strujni krug dok se na zadovoljavajući način ne riješi. Ako se kvar ne može ispraviti odmah, ali je potrebno nastaviti s radom, koristi se odgovarajuće privremeno rješenje.

To se mora prijaviti vlasniku opreme, tako da se obavijeste sve strane.

Početne sigurnosne provjere uključuju:

- da se kondenzatori isprazne: to treba učiniti na siguran način kako bi se izbjegla mogućnost iskrenja;
- da se tijekom punjenja, opravka ili pročišćavanja sustava ne izlažu električne komponente i vodiči pod naponom;
- da postoji uzemljenje.

10. Popravlak zatvorenih dijelova

Tijekom popravka zapečaćenih sastavnih dijelova, svi uređaji za električnu energiju isključuju se s opreme na kojoj se radi prije uklanjanja zapečaćenih pokrova itd. Ako je apsolutno neophodno imati električnu energiju opreme tijekom servisiranja, tada se detektor plina nalazi na najkritičnijoj točki kako bi upozorio na potencijalno opasnu situaciju.

Posebnu pažnju treba obratiti na sljedeće kako bi se osiguralo da se radom na električnim komponentama kućište ne mijenja na takav način da utječe na razinu zaštite. To uključuje oštećenja kablova, preveliki broj priključaka, terminala koji nisu napravljeni prema originalnoj specifikaciji, oštećenja brtvila, nepravilno postavljanje vodiča itd..

Provjerite je li aparat dobro sastavljen.

Pazite da se brtve ili materijali za brtvljenje ne degradiraju do te mjere da više ne služe svrsi sprječavanja prodora zapaljivih plinova. Zamjenski dijelovi moraju biti u skladu sa specifikacijama proizvođača.

11. Popravci na unutranjim sigurnim komponentama

Ne radite induktivna ili kapacitivna opterećenja bez osiguravanja da to neće prijeći napon i struju dopuštene za opremu koja se koristi. Unutarnje sigurne komponente su jedine vrste dijelova na kojima se može raditi “naživo”

u prisustvu zapaljivih plinova. Ispitni uređaj mora dati ispravnu ocjenu. Zamijenite dijelove samo s dijelovima koje je odredio proizvođač. Ostali dijelovi mogu rezultirati zapaljenjem rashladnog sredstva u atmosferi zbog curenja.

12. Kabeli

Provjerite da kabeli neće biti izloženo habanju, koroziji, prekomjernom tlaku, vibracijama, oštrim rubovima ili bilo kakvim drugim štetnim utjecajima okoline. Provjera također uzima u obzir učinke starenja ili stalnih vibracija iz izvora kao što su kompresori ili ventilatori.

13. Otkrivanje zapaljivih rashladnih sredstava

Ni pod kojim se uvjetima ne smiju koristiti potencijalni izvori paljenja u potrazi ili otkrivanju istjecanja rashladnog sredstva. Halidna baklja (ili bilo koji drugi detektor koji koristi goli plamen) ne smije se koristiti.

14. Uklanjanje i pražnjenje

Pri ulasku u sustav rashladnog sredstva radi popravke - ili u bilo koje druge svrhe - treba koristiti konvencionalne postupke. Međutim, za zapaljive rashladne rashladne tvari važno je slijediti najbolju praksu, u obzir se mora uzeti zapaljivost. Poštujte se sljedeći postupak:

- uklonite rashladno sredstvo;
- pročistite sustav inertnim plinom;
- ispraznite ;
- pročišćavanje inertnim plinom;
- otvorite krug rezanjem ili lemljenjem.

Punjenje rashladnog sredstva mora se vratiti u sanirane cilindre. Za uređaje koji sadrže zapaljive rashladne rashladne tvari sustav mora biti pročišćen dušikom bez kisika kako bi uređaj bio siguran za zapaljive rashladne rashladne tvari. Ovaj će postupak možda trebati ponoviti nekoliko puta. Slačeni zrak ili kisik se ne smiju koristiti za čišćenje rashladnih sustava.

Za uređaje koji sadrže zapaljive rashladne tvari, čišćenje rashladnih sredstava treba postići probijanjem vakuuma u sustavu sa dušikom bez kisika i nastavljanjem punjenja dok se ne postigne radni tlak, zatim odzračivanjem u atmosferu i na kraju povlačenjem u vakuum. Ovaj se postupak ponavlja sve dok u sustavu nema rashladnog sredstva. Kad se koristi završni naboj dušika bez kisika, sustav se odzračuje na atmosferski tlak kako bi se omogućio rad. Ova operacija je apsolutno vitalna ako se moraju obavljati postupci lemljenja na cijevi.

Osigurajte da otvor za vakuumsku pumpu nije blizu bilo kojeg potencijalnog izvora paljenja i da je dostupna ventilacija.

15. Procedura punjenja

Kod konvencionalnih postupaka punjenja slijede se sljedeći zahtjevi.

- Pazite da se pri upotrebi opreme za punjenje ne dogodi miješanje različitih rashladnih sredstava. Crijeva ili vodovi moraju biti što kraći kako bi se smanjila količina rashladnog sredstva u njima.
- Cilindri se drže u odgovarajućem položaju prema uputama.
- Osigurajte da je rashladni sustav uzemljen prije punjenja sustava rashladnim sredstvom.
- Označite sustav kada je punjenje dovršeno (ako već nije).
- Izuzetno se treba voditi računa da se ne prepuni rashladni sustav.

Prije punjenja sustava mora se izvršiti test pritiska odgovarajućeg plina za pročišćavanje. Sustav mora biti testiran na isticanje punjenja nakon završetka punjenja, ali prije puštanja u rad. Prije napuštanja mjesta mora se provesti naknadno testiranje isticanja.

16. Stavljanje izvan pogona

Prije provođenja ovog postupka, osnovno je da tehničar u potpunosti upozna s opremom i svim njezinim detaljima. Preporučuje se dobra praksa da se svi rashladni agensi obnavljaju na siguran način. Prije obavljanja zadatka uzima se uzorak ulja i rashladnog sredstva u slučaju da je potrebna analiza prije ponovne uporabe oporabljene rashladnog sredstva. Bitno je da je električna energija dostupna prije nego što se zadatak započne.

- a) Upoznajte se s opremom i njenim radom.
- b) Sustav električno izolirajte.
- c) Prije nego što pokušate postupak, provjerite:
 - Mehanička oprema za rukovanje dostupna je, ako je potrebno, za rukovanje spremnicima rashladnog sredstva;
 - sva osobna zaštitna oprema je dostupna i pravilno se koristi;
 - postupak sanacije nadzire u svakom trenutku kompetentna osoba;
 - oprema za sanaciju i cilindri odgovaraju odgovarajućim standardima.
- d) Ako je moguće, ispumpajte rashladni sustav.
- e) Ako vakuumiranje nije moguće, napravite razdjelnik, tako da rashladno sredstvo može biti uklonjeno iz raznih dijelova sustava.
- f) Provjerite nalazi li se cilindar u vodoravnom položaju prije nego što se izvrši sanacija.
- g) Pokrenite stroj za sanaciju i radite u skladu s uputama.
- h) Ne prenapunite cilindre (ne više od 80% zapremnine tekućine).
- i) Ne prekoračite maksimalni radni tlak cilindra, čak ni privremeno.
- j) Kad su cilindri pravilno napunjeni i postupak završen, osigurajte da se cilindri i oprema odmah uklone s mjesta sanacije i da se svi izolacijski ventili na opremi zatvore..
- k) Povratno rashladno sredstvo se ne puni u drugi rashladni sustav ako nije očišćeno i provjereno.

17. Označavanje

Oprema mora biti označena etiketom o punjenju i pražnjenju rashladnog sredstva. Etiketa treba datirati i potpisati. Za uređaje koji sadrže zapaljive rashladne rashladne tvari, provjerite da na opremi postoje oznake koje govore da oprema sadrži zapaljivo rashladno sredstvo.

18. Oprava

Pri uklanjanju rashladnog sredstva iz sustava, bilo za servisiranje ili stavljanje izvan pogona, preporučuje se u dobroj praksi da se svi rashladni agensi sigurno uklanjaju.

Prilikom premještanja rashladnog sredstva u boce, osigurajte da su korišteni samo odgovarajući cilindri za povrat rashladnog sredstva. Osigurajte da je dostupan odgovarajući broj cilindara za ukupno punjenje sustava. Svi cilindri koji će se koristiti označeni su za povratno rashladno sredstvo i označeni su za to rashladno sredstvo (tj. Posebni cilindri za povratno rashladnog sredstva). Cilindri moraju biti s dobrim ventilom i pripadajućim zapornim ventilima u ispravnom stanju.

Prazni cilindri se uklanjaju i ako je moguće, hlade prije nego što dođe do uporabe.

Oprema za opravak mora biti u ispravnom stanju s nizom uputa koje se odnose na opremu koja se nalazi pri ruci i prikladna je za uporabu svih odgovarajućih rashladnih sredstava, uključujući, kad je primjenjivo, zapaljive rashladne tvari. Uz to, mora biti dostupan, kalibriran i u dobrom stanju. Crijeva moraju biti u kompletu s spojnicama, koje ne puštaju i u dobrom su stanju. Prije upotrebe uređaja za opravak provjerite da li je u ispravnom stanju, da li je pravilno održavan i da li su svi povezani električni dijelovi zabrtvljeni kako bi se spriječilo zapaljenje u slučaju ispuštanja rashladnog sredstva. Ako imate dvojbe, obratite se proizvođaču.

Povratni rashladni plin vraća se dobavljaču rashladnog sredstva u ispravan cilindar za povratni plin, i odgovarajuću napomenu za prijenos otpada. Ne miješajte rashladna sredstva u obnavljačkim jedinicama, a posebno ne u cilindri-

ma. Ako treba ukloniti kompresore ili kompresorska ulja, osigurajte da su uklonjeni na prihvatljivu način kako biste bili sigurni da zapaljivo rashladno sredstvo ne ostaje u mazivu.

Proces uklanjanja izvodi se prije vraćanja kompresora dobavljaču. Za ubrzavanje ovog postupka potrebno je koristiti samo električno grijanje na tijelu kompresora. Kad se ulje izbaci iz sustava, treba ga ukloniti na sigurno

PUŠTANJE U RAD

- Pažljivo uklonite ambalažu i nemojte oštetiti uređaj ili priključni kabel. Ako primjetite neko oštećenje, uređaj se ne smije pokretati.

- Držite uređaj na kotačima jedan sat prije prvog uključivanja.

- Ako želite koristiti odvodno crijevo, spojite ga na mjesto prikazano na slici 1. a biste to učinili, izvucite gumeni čep na stražnjoj strani uređaja.

- Potpuno odmotani kabel za napajanje uključite u standardnu zidnu utičnicu.

- Nakon toga uređaj je spreman za uporabu.

ČIŠĆENJE, ODRŽAVANJE

Kako bi se osiguralo optimalno funkcioniranje, uređaj će možda trebati čišćenje najmanje jednom mjesečno, ovisno o načinu uporabe i stupnju onečišćenja.

1. Prije čišćenja isključite uređaj isključivanjem kabela iz napajanja.

2. Očistite otvore za ulaz zraka (4) i izlaz zraka (3) pomoću usisavača. Filter možete ukloniti na otvoru za ulaz zraka, možete ga oprati u čistoj vodi. **(Slika 4.)** U uređaj stavite samo suhi filter.

3. Očistite vanjsku stranu uređaja vlažnom krpom. Ne koristite agresivna sredstva za čišćenje. Ne dopustite da voda ulazi u unutrašnjost uređaja i na njegove električne

TROUBLESHOOTING

Kvar	Moguća rješenja
Ventilator radi, kompresor ne.	Provjerite način rada i odabranu vlažnost.
Uređaj je prestao sa radom.	Ispraznite spremnik za vodu.
	Namjestite spremnik za vodu točno na njegovo mjesto.
	Timer je možda isključio uređaj.
Buka protoka zraka je glasna.	Očistite zračni filter.
Uređaj ne odvlažuje ispravno.	Očistite zračni filter.
	Ulazi i izlazi za zrak ne smiju biti pokriveni.



RASPOLAGANJE

Uređaji koji se odlažu u otpad se trebaju izdvojeno prikupljati, odvojeno od otpada iz kućanstva, jer mogu u sebi sadržati komponente koje su opasne po okoliš i ljudsko zdravlje! Korišteni ili uređaji koji se odlažu u otpad se besplatno mogu odnijeti na mjesto njihove distribucije, odnosno kod takvog distributera koji vrši prodaju uređaja istih karakteristika i funkcije. Mogu se odložiti i na deponijima koji su specijalizirani za odlaganje elektronskog otpada. Ovime Vi štite Vaš okoliš, Vaše i zdravlje drugih ljudi. Ukoliko imate pitanja, obratite se lokalnoj organizaciji za odlaganje otpada. Prihvaćamo na sebe zakonom određene obveze koje su propisane za proizvođače i sve troškove koji su u vezi s tim.

EN DEHUMIDIFIER

Dehumidifier FEATURES

The dehumidifier reduces the humidity in rooms with high humidity level, and at the same time it reduces the probability of mold appearing. The appliance draws in the humid air and then by using its built-in compressor and evaporator to extract the steam. The vapor extracted from the air collects in the water tank of the appliance, or can be continuously drained by the drain pipe. Due to its operating principle it is not suitable for increasing the humidity of the room.

• recommended room size: 10-20 m² • 5-type operation modes (Dehumidify, Automatic, Continuous, Fast Dry Clothes, Fan) • child lock • last setting memory • adjustable desired humidity (30 % - 80 % RH) • 1 - 24 hour, hourly adjustable switch off timer • 2.2 liter water tank, water tank level indicator light • accessory, optionally useable drainage pipe

USE

The appliance can be switched on by pressing the **ON/OFF** button. The display shows the actual relative humidity of the room. The unit starts operating in the last used mode and fan speed.

The appliance indicates the actual humidity status of the room with the colored LEDs (9) located at the front, under the carrying handle:

red light	too high humidity
green light	ideal humidity
blue light	too dry air in the room

By pressing the **MODE** button, the actual mode starts flashing and can be changed with the \wedge and \vee arrows. The selected mode is activated after 5 seconds or can be confirmed earlier with the **MODE** button.

DEHUMIDIFY: In this mode, the humidity to be reached can be set in steps of 30% to 80% in 5% increments. Use the \wedge and \vee buttons to increase or decrease the available humidity, which will flash on the display. After setting, the display returns to the current humidity display. The compressor and fan are switched on at the set + 3% RH. At the set RH -3%, the compressor switches off, the fan operates for another 3 minutes and then stops. The low or high fan speed can be selected with the **FAN** button.

AUTOMATIC: In this mode, the unit wants to reach the factory-set 55% RH level, the desired humidity cannot be changed. The fan speed is selected by the appliance and cannot be adjusted.

CONTINUOUS: Humidity and low fan speed cannot be adjusted, the compressor is operating continuously.


FAST DRY CLOTHES: The appliance operates at maximum fan speed, providing maximum dehumidification capacity. Humidity and high fan speed cannot be adjusted.

FAN: Only the fan works at adjustable speed.

After pressing the **TIMER** button, you can use the \wedge and \vee buttons to set the sleep timer in hourly increments for 1-24 hours. The set value flashes on the display. The 00 value means that the timer is switched off. The switched on switch-off timer is indicated by the red **TIMER** indicator light, the remaining time can be checked by pressing the **TIMER** button.

Switching on and off the compressor is controlled by the operating mode of the appliance and the set humidity. When the compressor is running, warm air flows out from the outlet opening, which is a natural phenomenon and not a fault. Switching the compressor on and off is accompanied by a slight vibration for a few seconds, which

disappears during continuous operation.

The appliance is provided by **child lock** function, which can be switched on and off by pressing the \wedge and \vee buttons together. The child lock function is confirmed by the  indicator light. When the child lock is activated, the appliance does not respond to the pressing of the buttons, nor to the **ON / OFF** button.

The **Tank Full** indicator lights up, when the water tank is full or out of place.

At temperatures below 18 °C, the appliance defrosts for approx. 5 minutes every 25 minutes. Meanwhile, the **Defrost** light is on. Do not switch off the appliance during defrosting.

WATER TANK

The appliance stops when the water tank is full or out of place. The Tank Full red light illuminates and the device beeps for 20 seconds. The indicator LEDs (9) under the carrying handle flash in red.

Emptying the water tank (Figure 3.)

- Before emptying the water tank, unplug the appliance by pulling out the plug.
- Hold the water tank (5) on both sides and pull it out from the appliance.
- Slowly pour out the collected water, then carefully push the water tank back into place.

Continuous water drainage

If you dehumidify with the appliance for a long time, you can use the drainage pipe (8). If you use the drainage pipe, the water tank must also be in place.

- Before connecting the drainage pipe, unplug the appliance by pulling out the plug.
- If you want to use the drainage pipe, connect it to the location shown in **Figure 1**. To do this, pull out the rubber plug on the back of the device.
- Make sure that the drainage pipe is not blocked, broken or the water in not frozen in it.

SPECIFICATIONS

humidifying capacity:	10 L / 24 h (30°C, RH: 80%) 5 L / 24 h (27°C, RH: 60%) AC 220-240 V ~
voltage:	50 Hz
frequency:	200 W (27°C, RH: 60%)
nominal output:	1.25 A (27°C, RH: 60%)
nominal power consumption:	245 W (32°C, RH: 90%)
max. output:	1.40 A (32°C, RH: 90%)
max. power consumption:	1.2 MPa
max. suction side pressure:	2.5 MPa
max. discharge side pressure:	R290 / 35 g
refrigerant:	EQV CO ₂ : 0,0001 t GWP R290: 3
environmental temperature:	5 - 32 °C
noise level:	45 dB(A)
size of water tank:	2.2 L
length of drainage pipe:	30 cm
airflow volume:	120 m ³ /h
length of power cable:	1.8 m
dimensions of device:	284 x 480 x 240 mm
net weight:	9 kg

H PÁRÁTLANÍTÓ

Párátlanító JELLEMZŐK

A párátlanító készülék a magas páratartalmú helyiségek páratartalmát, egyúttal a penész megjelenésének valószínűségét csökkenti. A készülék beszívja a párás levegőt, majd beépített kompresszora és párolgatója segítségével kivonja abból a párárt. A levegőből kivont pára a készülék viztartályában gyűlik össze, vagy a vizelvezető csővel folyamatosan elvezethető. Működési elvéből adódóan nem alkalmas a helyiség páratartalmának növelésére.

• ajánlott szobaméret: 10-20 m² • 5-féle üzemmód (Dehumidify, Automatic, Continuous, Fast Dry Clothes, Fan) • gyerekzár • utolsó beállítás memória • beállítható kívánt páratartalom (30 % - 80 % RH) • 1 - 24 óráig, óránként állítható kikapcsolás időzítés • 2.2 literes viztartály, viztartály-telítettség jelző fény • tartozék, opcionálisan használható vizelvezető cső

HASZNÁLAT

A készüléket az **ON/OFF** gomb megnyomásával kapcsolhatjuk be. A kijelzőn megjelenik a helyiség aktuális relatív páratartalma. A készülék az utólagos használt üzemmódban és ventilátor sebességgel kezd működni.

A készülék az elején, a bordfűl alatt elhelyezett színes LED-ekkel (9) jelzi a helyiség aktuális páratartalom állapotát:

piros fény	túl magas a páratartalom
zöld fény	ideális a páratartalom
kék fény	túl száraz a helyiség levegője

A **MODE** gomb megnyomásával az aktuális üzemmód villogni kezd, megváltoztathatni

a \wedge és \vee nyilakkal lehet. A kiválasztott üzemmód 5 másodperc után aktiválódik, vagy hamarabb is nyugtáztathatjuk a **MODE** gombbal.

DEHUMIDIFY: Ebben az üzemmódban 30% - 80%-ig, 5%-os lépésekben beállítható az elérendő páratartalom. A \wedge és \vee gombokkal emelheti, vagy csökkentheti az elérendő páratartalmat, mely villogva jelenik meg a kijelzőn. A beállítás után a kijelző visszaáll az aktuális páratartalom kijelzésére. A kompresszor és a ventilátor a beállított +3% RH esetén bekapcsol. A beállított RH -3% értékénél a kompresszor kikapcsol, a ventilátor még 3 percig üzemel, majd leáll. Az alacsony vagy magas ventilátor sebesség a **FAN** gombbal választható ki.

AUTOMATIC: Ebben az üzemmódban a készülék a gyárilag beállított 55 % RH szintet akarja elérni, a kívánt páratartalom nem módosítható. A ventilátor sebességét a készülék választja ki, nem állítható.

CONTINUOUS: A páratartalom és az alacsony ventilátor sebesség nem állítható, a kompresszor folyamatosan üzemel.

FAST DRY CLOTHES: A készülék maximális ventilátor fordulatszámom működik, maximális páratlanító kapacitást biztosítva. A páratartalom és a magas ventilátor sebesség nem állítható.

FAN: Csak a ventilátor működik, állítható fordulatszámom.

A **TIMER** gomb megnyomásával a \wedge és \vee gombokkal 1-24 óráig időtartamra, óránkénti lépésekben beállíthatjuk a kikapcsolás időzítést. A beállított érték villogva jelenik meg a kijelzőn. A 00 érték a kikapcsolás időzítést jelenti. A bekapcsolás kikapcsolás időzítés a piros **TIMER** jelzőfény mutatja, a hátralévő időt a **TIMER** gomb megnyomásával ellenőrizhetjük.

A kompresszor be- és kikapcsolását a készülék üzemmódja és a beállított páratartalom szabályozza. Amikor üzemel a kompresszor, akkor a kifűvő nyíláson meleg levegő

ármielik ki, ami természetes jelenség és nem hiba. A kompresszor be- és kikapcsolását pár másodperces enyhe rázkódás kíséri, ami a folyamatos üzem közben megszűnik.

A készülék rendelkezik gyezekzár funkcióval, melyet be- és kikapcsolni a \wedge és \vee gombok együttes nyomva tartásával lehet. A gyezekzár funkciót a \blacksquare jelzőfény igazolja vissza. Bekapcsolás gyezekzár esetén a készülék nem reagál a gombok nyomogatására, az ON/OFF gombra sem!

A **Tank Full** jelzőfény kigyullad, ha a víztartály megtelt, vagy nincs a helyén.

A készülék 18°C alatti hőmérséklet esetén, nagyjából 25 percenként 5 percig leolvasztja magát. Ez alatt a Defrost fény világít. A készüléket a leolvasztás alatt ne kapcsolja ki.

VÍZTARTÁLY

A készülék leáll, ha a víztartály megtelt, vagy nincs a helyén. A Tank Full piros jelzőfény világít, és a készülék 20 másodpercig hangjelzést ad. A hordfűl alatti visszajelző LED-ek (9) pirosan villognak.

A víztartály kiürítése (3. ábra)

- A víztartály kiürítése előtt áramtalanítsa a készüléket a csatlakozódugó kihúzásával!
- A víztartályt (5) két oldalon fogja meg, majd húzza ki a készülékből.
- Lassan öntse ki az összegyűlt vizet, majd óvatosan tolja vissza a helyére a víztartályt.

Folyamatos vízvezetés

Ha huzamosabb ideig páratlanít a készülékkel, használhatja a tartozék vízvezetőt csövet (8). Ha a vízvezetőt csövet használja, a víztartálynak akkor is a helyén kell lennie.

- A vízvezetőt cső csatlakoztatása előtt áramtalanítsa a készüléket a csatlakozó-

dugó kihúzásával!

- Ha a vízvezetőt csövet szeretné használni, akkor csatlakoztassa az 1. ábrán látható helyre. Ehhez a készülék hátoldalán a gumidugót ki kell húzni.

- Biztosítsa, hogy a vízvezető cső ne duguljon el, ne törjön meg, ne fagyjon bele a víz.

MŰSZAKI ADATOK

páratlanító kapacitás: 10 L / 24 h (30°C, RH: 80%)
5 L / 24 h (27°C, RH: 60%)
AC 220-240 V ~
50 Hz
feszültség:
frekvencia:
névleges teljesítmény: 200 W (27°C, RH: 60%)
névleges áramfelvétel: 1.25 A (27°C, RH: 60%)
max. teljesítmény: 245 W (32°C, RH: 90%)
max. áramfelvétel: 1.40 A (32°C, RH: 90%)
max. szivóoldali nyomás: 1.2 MPa
max. nyvóoldali nyomás: 2.5 MPa
hűtőközeg: R290 / 35 g

környezeti hőmérséklet:

zajszint: 45 dB(A)

víztartály mérete: 2.2 L

vízvezető cső hossza: 30 cm

légszállítás: 120 m³/h

tápkábel hossza: 1.8 m

készülék mérete: 284 x 480 x 240 mm

nettó tömeg: 9 kg

EQV CO₂: 0,0001 t

GWP R290: 3

5 - 32 °C

45 dB(A)

2.2 L

30 cm

120 m³/h

1.8 m

284 x 480 x 240 mm

9 kg

SK ODVLHČOVAČ

Odvlhčovač CHARAKTERISTIKA

Odvlhčovač prístroj znižuje vlhkosť vzduchu vlhkých miestností a zároveň znižuje pravdepodobnosť vzniku plesní. Prístroj nasáva vlhky vzduch a pomocou vstavaného kompresora a odparovávča odľučuje z neho vlhkosť. Odľučená vlhkosť sa zbiera vo forme vody v nádrži na vodu alebo pribežne odtieká cez hadicu. Prístroj nie je vhodný na zvyšovanie vlhkosti vzduchu v miestnosti.

• odporúčané rozmery miestnosti: 10-20 m² • 5 režimov (Dehumidify, Automatic, Continuous, Fast Dry Clothes, Fan) • detská ochrana • pamäť posledného nastavenia • nastaviteľná vlhkosť (30 % - 80 % RH) • 1 - 24 hodinový časovač, vypnutie možno nastaviť každú hodinu • 2,2 l nádrž na vodu, kontrolka plnej nádrže • hadica pre odtok vody je prislúšenstvom, možnosť voľby použitia

POUŽÍVANIE

Prístroj môžete zapnúť stlačením tlačidla **ON/OFF**. Na displeji sa objaví aktuálna relatívna vlhkosť vzduchu v miestnosti. Prístroj začne fungovať podľa posledného nastaveného režimu a rýchlosti ventilátora.

Na prednej strane prístroja, pod držadlom farebné LED (9) označujú aktuálny stav vlhkosti vzduchu v miestnosti:

červené svetlo príliš vysoká vlhkosť
zelené svetlo ideálna vlhkosť
modré svetlo príliš nízka vlhkosť

Stlačením tlačidla **MODE** začne blikat aktuálny režim, zmeniť režim môžete pomocou šípky \wedge a \vee . Vybraný režim bude aktivovaný po 5 sekundách alebo môžete potvrdiť aj skôr stlačením tlačidla **MODE**.

DEHUMIDIFY: V tomto režime môžete nastaviť vlhkosť od 30% do 80%, po 5 %. Pomocou tlačidla \wedge a \vee môžete zvyšovať alebo znižovať vlhkosť, pričom počas nastavenia hodnota bliká na displeji. Po nastavení sa na displeji opäť objaví aktuálna vlhkosť. Kompresor a ventilátor sa zapne v prípade nastaveného +3% RH. Pri nastavení RH kompresor sa vypne pri hodnote -3%, ventilátor ešte funguje 3 minúty, potom sa zastaví. Nižšiu alebo vyššiu rýchlosť ventilátora môžete vybrať pomocou tlačidla **FAN**.

AUTOMATIC: V tomto režime prístroj chce dosiahnuť 55 % RH, ktorý je nastavený vo výrobe. vlhkosť vzduchu nemôžete zmeniť. Rýchlosť ventilátora vyberie prístroj, nemôžete nastavovať.

CONTINUOUS: Vlhosť a nízku rýchlosť ventilátora nie je možné nastaviť, kompresor je v prevádzke pribežne.

FAST DRY CLOTHES: Prístroj funguje s maximálnym počtom obrátok, takto je zabezpečená maximálna kapacita odvlhčovania. Vlhosť a vysokú rýchlosť ventilátora nie je možné nastaviť.

FAN: Funguje len ventilátor, je možné nastaviť počet obrátok.

Po stlačení tlačidla **TIMER** pomocou tlačidla \wedge a \vee môžete nastaviť časovač vypnutia na 1-24 hodín, na každú hodinu. Nastavená hodnota bliká na displeji. Hodnota 00 znamená vypnutý časovač. Červená kontrolka **TIMER** označuje zapnutý časovač vypnutia, zostávajúci čas do vypnutia môžete skontrolovať stlačením tlačidla **TIMER**.

Za- a vypnutie kompresora reguluje režim prístroja a nastavená vlhkosť. Keď kompresor je v prevádzke, tak z otvoru výstupu vzduchu prúdi teplý vzduch. Je to prirodzený jav, ktorý sa nepovažuje za chybu prístroja. Za- a vypnutie kompresora spravidla mierne trasenie, ktoré počas pribežnej prevádzky prestane.

Prístroj disponuje funkciou **detskej ochrany**, ktorú môžete za- a vypnúť podržaním oboch tlačidiel naraz: \wedge a \vee . Funkciu detskej ochrany potvrdzuje kontrolka \blacksquare . V prípade zapnutej detskej ochrany prístroj nereaguje na stlačenie tlačidiel, ani na tlačidlo ON/OFF!

Kontrolka Tank Full svieti, keď nádrž je plná alebo nie je na svojom mieste.

Prístroj pod teplotou 18°C každých 25 minút sa odmrázuje počas 5 minút. Počas od-

mrazovania svieti kontrolka **Defrost**. Prístroj nevytvára počas odmrázovania.

NÁDRŽ NA VODU

Prístroj sa zastaví, keď nádrž je plná alebo nie je na svojom mieste. Svieti červená kontrolka **Tank Full** a prístroj počas 20 sekúnd vydáva zvukovú signalizáciu. LED kontroly (9) pod držadlom blikajú červenou farbou.

Vyprázdenie nádrže (3. ábra)

- Pred vyprázdením nádrže prístroj odpojte vytiahnutím sieťovej zástrčky!

- Nádrž (5) chyťte na oboch stranách a vytlahajte z prístroja.

- Pomaly vylejte nazberanú vodu a následovne nádrž opätne zasunite na jej miesto.

Pribežný odtok kondenzátu

Keď prístroj odvlhčuje pribežne, je účelné pre odtok kondenzátu použiť priloženú hadicu (8). Keď používate hadicu pred otkom, nádrž na vodu aj tak musí byť na svojom mieste.

- Pred inštaláciou odtokovej hadice prístroj odpojte zo siete vytiahnutím sieťovej zástrčky!

- Keď chcete používať hadicu pre odtok vody, tak ju pripojte podľa 1. obr. Pred pripojením treba odstrániť gumenú zátku na zadnej strane prístroja.

- Dbajte na to, aby sa odtoková hadica nezapchala, nezalomila a nezamrzla v nej voda.

TECHNICKÉ ÚDAJE

kapacita odvlhčovania: 10 L / 24 h (30°C, RH: 80%)
5 L / 24 h (27°C, RH: 60%)

AC 220-240 V ~

50 Hz

menovitý výkon: 200 W (27°C, RH: 60%)

menovitý príjem prúdu: 1.25 A (27°C, RH: 60%)

max. výkon: 245 W (32°C, RH: 90%)

max. príjem prúdu: 1.40 A (32°C, RH: 90%)

max. tlak na strane nasávania: 1.2 MPa

max. tlak na strane vytláčania: 2.5 MPa

chladiace médium: R290 / 35 g

EQV CO₂: 0,0001 t

GWP R290: 3

5 - 32 °C

45 dB(A)

rozmery nádrže: 2.2 L

dĺžka hadice na odtok vody: 30 cm

prietok vzduchu: 120 m³/h

dĺžka napájacieho kábla: 1.8 m

rozmery prístroja: 284 x 480 x 240 mm

netto hmotnosť: 9 kg

teplota prostredia: 5 - 32 °C

hlučnosť: 45 dB(A)

rozmery nádrže: 2.2 L

dĺžka hadice na odtok vody: 30 cm

prietok vzduchu: 120 m³/h

dĺžka napájacieho kábla: 1.8 m

rozmery prístroja: 284 x 480 x 240 mm

netto hmotnosť: 9 kg



DEZUMIDIFICATOR

Dezumidificator

CARACTERISTICI

Dezumidificatorul reduce umiditatea în încăperi cu umiditate mare, și în același timp probabilitatea apariției mucegaiului. Aparatul trage aerul umez prin fanta de admisie, apoi folosindu-și compresorul și evaporatorul va extrage umiditatea. Umiditatea extrasă din aer se adună în rezervorul de apă ori se elimină prin tubul de drenaj continuu. Datorită principiului de funcționare, aparatul nu este potrivit pentru creșterea umidității din încăperi.

• dimensiunea recomandată a încăperii: 10-20 m² • 5 moduri de funcționare (Dehumidify, Automatic, Continuous, Fast Dry Clothes, Fan) • protecție copii • memorie ultima setare • umiditate reglabilă (30 % - 80 % RH) • temporizare oprire 1 - 24 ore, cu pas de 1 oră • rezervor de apă 2,2 litri, indicator luminos rezervor plin • tub drenaj inclus, utilizare opțională

EXPLOATARE

Aparatul se poate porni prin apăsarea butonului **ON/OFF**. Pe ecran se va afișa umiditatea relativă actuală din încăpere. Aparatul va porni în ultimul modul de funcționare și la ultima viteză de ventilator.

Aparatul indică umiditatea actuală a încăperii prin LED-urile de indicare colorate (9) de sub mâner:

lumină roșie	umiditatea este prea ridicată
lumină verde	umiditatea este ideală
lumină albastră	aerul încăperii este prea uscată

Prin apăsarea butonului **MODE** va clipi indicatorul funcției actuale și se poate schimba cu butoanele \wedge și \vee . Modul de funcționare selectat se activează în 5 secunde sau se poate porni mai repede prin apăsarea butonului **MODE**.

DEHUMIDIFY: În acest mod de funcționare puteți seta umiditatea dorită între 30% - 80%, în pași de 5%. Cu butoanele \wedge și \vee puteți crește sau scăde valoarea, care se va afișa intermitent pe ecran. După setare ecranul revine la afișarea umidității actuale. Compresorul și ventilatorul se pornesc dacă setați +3% RH. La o valoare de RH -3% compresorul se oprește, iar ventilatorul mai funcționează 3 minute, după care se oprește. Viteza mică sau mare a ventilatorului se poate selecta cu butonul **FAN**.

AUTOMATIC: În acest mod de funcționare aparatul funcționează să atingă valoarea de 55% RH setat din fabrică, umiditatea nu se poate modifica. Viteza ventilatorului este reglată de aparat, nu se poate modifica.

CONTINUOUS: Umiditatea și viteza mică a ventilatorului nu se pot modifica, compresorul funcționează încontinuu.

FAST DRY CLOTHES: Aparatul funcționează la viteza maximă a ventilatorului, asigurând capacitatea maximă de dezumidificare. Umiditatea și viteza mare a ventilatorului nu se pot modifica.

FAN: Funcționează doar ventilatorul, numărul de rotații se poate regla.

După apăsarea butonului **TIMER**, cu ajutorul butoanelor \wedge și \vee puteți seta oprirea temporizată între 1-24 ore, în pași de 1 oră. Valoarea setată se va afișa intermitent pe ecran. Valoarea 00 înseamnă că temporizatorul de oprire este dezactivat. Temporizatorul de oprire activ este semnalat de indicatorul roșu **TIMER**, iar timpul rămas până la oprire se poate verifica prin apăsarea butonului **TIMER**.

Pomirea și oprirea compresorului este reglată de modul de funcționare ales și de umiditatea setată. Când compresorul funcționează, prin fanta de evacuare iese aer cald, care este un fenomen normal și nu este o defecțiune. Pomirea și oprirea compresorului este urmată de o scuturare de câteva secunde, care la o utilizare continuă va dispărea.

Aparatul dispune de funcție **protecție copii**, care se poate (dez)activa prin apăsarea simultană a butoanelor \wedge și \vee . Funcția activă este semnalizată de indicatorul \blacksquare aprins. Dacă funcția este activă, aparatul nu reacționează la apăsarea butoanelor, nici la apăsarea butonului **ON/OFF**!

Indicatorul luminos **Tank Full** se aprinde, dacă rezervorul s-a umplut ori nu se află la locul său.

Aparatul, la temperaturi sub 18°C, la cca 25 minute, timp de 5 minute se decongelează. În acest timp indicatorul **Defrost** se aprinde. Nu opriți aparatul în timp ce se decongelează.

REZERVORUL DE APĂ

Aparatul se oprește dacă rezervorul este plin sau nu se află la locul său. Indicatorul luminos roșu **Tank Full** se aprinde și aparatul emite semnal sonor timp de 20 de secunde. LED-urile de indicare (9) de sub mâner luminează cu roșu.

Golirea rezervorului (fig. 3)

- Înainte de golirea rezervorului scoateți aparatul de sub tensiune prin îndepărtarea ștecherului din priză!
- Prindeți rezervorul (5) de ambele părți și extrageți-l din aparat.
- Turnați încet apa cumulată, apoi reasezați rezervorul în aparat.

Drenare continuă

Dacă veți folosi dezumidificatorul continuu pe o perioadă mai lungă, puteți utiliza tubul de drenaj (8). Dacă utilizați aparatul cu tubul de drenaj, rezervorul trebuie să fie la locul său.

- Înainte de conectarea tubului de drenaj scoateți aparatul de sub tensiune prin extragerea ștecherului din priză!
- Dacă veți folosi tubul de drenaj, conectați de locul indicat în **fig. 1**. Pentru acesta trebuie să îndepărtați dopul din plastic de pe spatele aparatului.
- Asigurați-vă că tubul de drenaj nu se va înfunda, nu se va întrerupe ori apa nu va îngheța în acesta.

DATE TEHNICE

capacitate dezumidificare:	10 L / 24 h (30°C, RH: 80%)
	5 L / 24 h (27°C, RH: 60%)
	AC 220-240 V ~
tensiune:	50 Hz
frecvența:	200 W (27°C, RH: 60%)
putere nominală:	1.25 A (27°C, RH: 60%)
consum de curent nominal:	245 W (32°C, RH: 90%)
putere maximă:	1.40 A (32°C, RH: 90%)
consum de curent maxim:	1.2 MPa
presiune maximă de aspirație:	2.5 MPa
presiune maximă laterală:	R290 / 35 g
agent de răcire:	EQV CO ₂ : 0,0001 t
	GWP R290: 3
temperatura ambientală:	5 - 32 °C
nivel de zgomot:	45 dB(A)
volum rezervor:	2,2 L
lungime tub drenaj:	30 cm
flux de aer:	120 m ³ /h
lungime cablu de alimentare:	1,8 m
dimensiuni:	284 x 480 x 240 mm
greutate:	9 kg

poslednje podešenim obtajem ventilatora.

Uredaj vlažnost vazduha prikazuje LED diodama (9) koji se nalaze ispod drške: crveno svetlo previška vlažnosti vazduha zeleno svetlo vlažnost je idealna plavo svetlo presuv vazduh prostorije

Režim rada se može odabrati tasterom **MODE** i strelicama \wedge i \vee . Odabrani režim rada će se aktivirati nakon 5 sekundi ili ponovnim pritiskom tastera **MODE**. **DEHUMIDIFY:** U ovom režimu se može podestiti željena vlažnost 30% - 80%, sa korakom od 5%. Podešavanje se radi tasterima \wedge i \vee , podešena vrednost će se pojaviti trepćući na displeju. Nakon podešavanja displej će da se vrati u normalan položaj i prikazivaće aktuelnu vlažnost vazduha prostorije. Kompresor i ventilator će se uključivati samo ako je podešena vrednost +3% RH od aktuelne vrednosti. U slučaju RH -3% kompresor se automatski isključuje, ventilator će još da radi narednih 3 minute na čemu se potom i on isključuje. Brzina obrtaja ventilatora se može podestiti tasterom **FAN**. **AUTOMATIC:** U ovom režimu će uređaj nastojati da postigne fabrički podešenu vlažnost vazduha 55% RH koja se ne može menjati. U ovom režimu broj obrtaja ventilatora



ODVLAŽIVAČ VAZDUHA

Odvlaživanje OSOBINE

Uredaj smanjuje vlažnost vazduha u prostoriji i smanjuje rizik od pojave plesni. Uredaj uvlači vlažan vazduh iz prostorije i uz pomoć ugrađenog kompresora i uređaja za isparivanje odstranjuje višak vlažnosti iz vazduha koji se sa zadnje strane uređaja vraća nazad u prostoriju. Uredaj odstranjuje vlagu skladišti u svom rezervoaru za vodu ili se može direktno odstraniti uz pomoć priključene cevi. Zbog principa rada uređaj nije pogodan za podizanje vlažnosti vazduha prostorije.

• preporučena dimenzija prostorije 10-20 m² • 5 režima rada (Dehumidify, Automatic, Continuous, Fast Dry Clothes, Fan) • zaštita od dece • memorisanje poslednjih podešavanja • podešiv željeni nivo vlažnosti vazduha (30 % - 80 % RH) • 1 - 24 sati, po-desivo vreme isključenja po satima • kapacitet rezervoara 2,2 litara, indikacija punog rezervoara • u priboru opcionalna odvodna cev

UPOTREBA

Uredaj se uključuje tasterom **ON/OFF**. Na indikatoru će se pojaviti aktuelna vlažnost vazduha prostorije. Uredaj će da radi sa poslednjim podešavanjima pre isključenja i

uređad sam reguliše.

CONTINUOUS: Vlažnost vazduha i spor obrtaj ventilatora se ne mogu menjati, kompresor neprestano radi.

FAST DRY CLOTHES: Uređaj radi sa maksimalnim brojem obrtaja ventilatora da bi se postigao maksimalni efekat odvlaživanja. Vlažnost vazduha i visoki broj obrtaja ventilatora se ne mogu menjati.

FAN: Radi samo ventilator sa podesivim obrtajem.

Prilikom tastera **TIMER** reguliše je podešavanje vremena automatskog isključenja uređaja 1-24 sati sa rezolucijom od sat vremena. Podešavanje se radi tasterima \wedge i \vee . Podešeno vreme će se trepćući pojaviti na displeju. Vrdnost 00 znači isključenu funkciju. Ako je tajmer aktiviran, svetli crveni **TIMER** indikator, preostalo vreme se može proveriti pritiskom tastera **TIMER**.

Uključivanje i isključivanje kompresora se radi automatski u zavisnosti od odabranog režima rada i podesene vlažnosti vazduha. Ako je kompresor aktivan na izdovnom otvoru uređaja izlazi topao vazduh što je normalna pojava i nije greška uređaja. Uključivanje i isključivanje kompresora prethodi blaga vibracija što ubrzo nakon uključenja prestaje.

Uređaj poseduje i **zaštitu za decu** koja se može aktivirati i deaktivirati istovremenim pritiskom tastera \wedge i \vee . Na aktivnost funkcije ukazuje simbol \blacksquare . Ako je funkcija aktivna uređaj neće da reaguje na pritiske tastera, ne reaguje ni na taster **ON/OFF**!

Ako je rezervoar pun ili ako nije na svom mestu, uključuje se indikator **Tank Full**.

U slučaju temperature prostorije ispod 18°C, uređaj će otprilike da se isključi na svakih 25 minuta i neće raditi oko 5 minuta dok se njegovi delovi ne odmrznu. U ovoj fazi će da svetli indikator **Defrost**. U ovoj fazi ne isključuje uređaj.

REZERVOAR ZA VODU

Uređaj ne radi ako je rezervoar pun ili ako nije na svom mestu. U oba slučaja svetli crvena **Tank Full** indikatorska lampica i čuje se zvučni signal 20 sekundi. LED diode (9) ispod drške će treptati crvenom bojom.

Prežnjenje rezervoara (3. skica)

- Pre pražnjenja rezervoara uređaj isključite iz struje!

CZ

ELEKTRICKÝ ČAJOVAR, S TERMOSTATEM

SPECIFIKACE

Odvlaživač vzduchu snižuje vlhkost vzduchu v prostorách s vysokou vlhkostí vzduchu a současně také eliminuje pravděpodobnost vzniku plísní. Přístroj nasává vlhky vzduch, ze kterého je následně proveden kompresor a zvlhčovače extrahována vlhkost. Vlhkost obsažená ze vzduchu je shromažďována do nádrže na vodu nebo je možné ji plynule odvádět pomocí hadice. Z principu fungování odvlhčovače vyplývá, že přístroj není určen ke zvyšování vlhkosti vzduchu v místnosti.

• doporučená velikost místnosti: 10-20 m² • 5-různých provozních režimů (Dehumidify, Automatic, Continuous, Fast Dry Clothes, Fan) • dětský zámek • uložení posledního nastavení do paměti • možnost nastavení požadované vlhkosti vzduchu (30 % - 80 % RH) • časované vypnutí v rozsahu 1 až 24 hodin, nastavitelné po hodině • nádrž na vodu s objemem 2,2 litru, světelná kontrolka signalizující naplnění nádrže na vodu • v příslušenství hadice na odvádění vody

POUŽITÍ

Přístroj zapnete stisknutím tlačítka **ON/OFF**. Na displeji bude vyobrazena aktuální hodnota relativní vlhkosti vzduchu v místnosti. Přístroj bude aktivován v naposledy používaném provozním režimu a rychlosti otáček ventilátoru.

Zařízení zobrazuje aktuální stav vlhkosti v místnosti s barevnými LED diodami (9) umístěnými vepředu, pod držákem pro přenašení:

červené světlo - příliš vysoká vlhkost

zelené světlo - je ideální vlhkost

modré světlo - příliš suchý vzduch v místnosti

Stisknutím tlačítka **MODE** začne blikat aktuální provozní režim, změnu můžete provést pomocí tlačítek označených šipkami \wedge a \vee . Zvolený provozní režim se aktivuje po uplynutí 5 vteřin, nebo dany režim můžete spustit okamžitě stisknutím tlačítka **MODE**. **DEHUMIDIFY:** V tomto provozním režimu je možné nastavit požadovanou hodnotu vlhkosti vzduchu v rozsahu 30% až 80%, a to v krocích po 5%. Tlačítka \wedge a \vee můžete zvyšovat nebo snižovat požadovanou hodnotu vlhkosti vzduchu, hodnoty budou vyobrazeny blikáním na displeji. Po dokončení nastavení se vyobrazení na displeji vrátí na zobrazení aktuální hodnoty vlhkosti vzduchu. Kompresor a ventilátor se zapnou v případě nastavené hodnoty \pm 3% RH. V případě hodnoty RH \pm 3% se kompresor vypne, ventilátor bude ještě po dobu 3 minut v provozu, potom se vypne. Nízkou nebo vysokou rychlost otáček ventilátoru zvolíte pomocí tlačítka **FAN**.

AUTOMATIC: V tomto provozním režimu je přístroj výrobcem nastaven na dosažení úrovně 55% RH, hodnotu relativní vlhkosti vzduchu nelze v tomto případě měnit. Rychlost ventilátoru volí přístroj, nelze ji nastavovat.

CONTINUOUS: Hodnotu vlhkosti vzduchu a nízkou rychlost otáček ventilátoru nelze nastavovat; kompresor funguje plynule.

FAST DRY CLOTHES: Přístroj funguje při maximálním počtu otáček ventilátoru, čímž je zajištěna maximálně dosažitelná odvlhčovací kapacita. Hodnotu vlhkosti vzduchu a vysokou rychlost otáček ventilátoru nelze nastavovat.

FAN: Funguje jenom ventilátor, při nastavitelném počtu otáček.

Po stisknutí tlačítka **TIMER** můžete pomocí tlačítek \wedge a \vee nastavit časovač pro vypnutí v hodinových intervalech po dobu 1-24 hodin. Nastavená hodnota na displeji bliká. Hodnota 00 znamená, že časovač je vypnutý. Nastavený čas pro vypnutí je indikován červenou kontrolkou **TIMER**, zbývající čas lze zkontrolovat stisknutím tlačítka **TIMER**.

Přístroj je vybaven funkcí dětského zámku, který můžete zapnout a vypnout současným delším stisknutím tlačítka \wedge a \vee . Funkce dětského zámku je signalizována světelnou kontrolkou \blacksquare . V případě zapnutí funkce dětského zámku přístroj nebude reagovat na

- Razervoar (5) uhvatite sa dve strane i izvucite ga iz ležišta.

- Ispitje nakupijeno vodu i pažljivo vratite rezervoar na mesto.

Neprekidno odvodnje vode

Ukoliko se uređaj duže vreme koristi, za odvod vode se može koristiti i priložena cev za odvod vode (8). U slučaju da se koristi odvodna cev, rezervoar i dalje treba da stoji na svom mestu.

- Pre postavljanja odvodne cevi, uređaj isključite iz struje!

- Ukoliko želite koristiti odvodnu cev, montirajte je prema skici 1. Za montažu odvodne cevi treba izvaditi gumeni čep sa zadnje strane.

- Obezbedite slobodan otok vode, cev ne sme da se zalomi i voda ne sme da se smrzne u njoj.

TEHNIČKI PODACI

kapacitet:	10 L / 24 h (30°C, RH: 80%)
	5 L / 24 h (27°C, RH: 60%)
	AC 220-240 V -
	50 Hz
radni napon:	200 W (27°C, RH: 60%)
frekvencija:	1,25 A (27°C, RH: 60%)
nazivna snaga:	245 W (32°C, RH: 90%)
nazivna struja:	1,40 A (32°C, RH: 90%)
maks. snaga:	1,2 MPa
maks. struja:	2,5 MPa
maks. usisni pritisak:	R290 / 35 g
maks. izdovni pritisak:	EQV CO ₂ : 0,0001 t
rashladna tečnost:	GWP R290: 3
	5 - 32 °C
radna temperatura:	45 dB(A)
buka:	2,2 l
rezervoar:	30 cm
dužina odvodne cevi:	120 m3h
količina vazduha:	1,8 m
dužina priključnih kablova:	284 x 480 x 240 mm
dimenzije:	1,8 m
neto masa:	9 kg

stisknuti tlačítek, a to ani na tlačítko **ON/OFF**!

Světelná kontrolka **Tank Full** se rozsvítí, jestliže je nádrž na vodu plná nebo není na svém místě.

V případě teploty pod 18°C se bude přístroj přibližně každých 25 minut po dobu 5 minut odmrzávat. Během této funkce bude svítit kontrolka **Defrost**. Po odmrzení přístroj nevyopije.

NÁDRŽKA NA VODU

Spořičbě se zastaví, když je nádrž na vodu plná nebo na místě. Rozsvítí se červené světlo **Tank Full** a zařízení vydává zvukovou signalizaci po dobu 20 sekund. Kontrolky (9) pod nosnou rukovětí blikají červeně.

Vyprázdnění nádrže na vodu(3. obrázek)

- Před vyprázdněním nádrže na vodu přístroj odpojte z elektrické sítě vytazením ze zásuvky ve zdi!

- Nádrž na vodu uchopte na obou stranách (5) a potom ji vyjměte z přístroje.

- Shromažďovanou vodu pomalu vylijte a potom nádrž na vodu opatrně vraťte zpátky na místo.

Plynulé odvádění vody

Jestliže budete přístroj k odvlhčování vzduchu používat delší dobu, použijte k odvádění vody hadici odvádnou v příslušenství (8). I v případě použití hadice na odvádění vody musí být nádrž na vodu na svém místě.

- Před zapojením hadice na odvádění vody přístroj odpojte z elektrické sítě vytazením ze zásuvky ve zdi!

- Jestliže chcete používat hadici na odvádění vody, pak hadici zapojte na místo podle vyobrazení na obrázku číslo 1. Předtím však musíte vytáhnout pryžovou zátku umístěnou na zadní straně přístroje.

- Zajistěte, aby nedošlo k upnutí nebo zlomení hadice na odvádění vody, respektive k zamrznutí vody v hadici.

TECHNICKÉ PARAMETRY

kapacita odvlhčování:	10 L / 24 h (30°C, RH: 80%)
	5 L / 24 h (27°C, RH: 60%)
	AC 220-240 V -
	50 Hz
napětí:	200 W (27°C, RH: 60%)
frekvence:	1,25 A (27°C, RH: 60%)
nominální příkon:	245 W (32°C, RH: 90%)
nominální spotřeba proudu:	1,40 A (32°C, RH: 90%)
max. příkon:	1,2 MPa
max. spotřeba proudu:	2,5 MPa
max. tlak na straně sání:	R290 / 35 g
max. tlak na straně výstupu:	EQV CO ₂ : 0,0001 t
chladičí médium:	GWP R290: 3
	5 - 32 °C
teplota okolního prostředí:	45 dB(A)
hlučnost:	2,2 l
rozměry nádrže na vodu:	30 cm
délka hadice na odvádění vody:	120 m ³ h
proudní vzduchu:	1,8 m
délka napájecího kabelu:	284 x 480 x 240 mm
rozměry přístroje:	1,8 m
netto hmotnost:	9 kg

HR BIH ODVLAŽIVAČ ZRAKA

Odvlaživač ZNACAJKE

Odvlaživač zraka smanjuje vlažnost u prostorijama s visokom razinom vlažnosti, a ujedno smanjuje vjerojatnost pojave plijesni. Uređaj uvlači vlažni zrak, a zatim pomoću ugrađenog kompresora i isparivača izvlači paru. Pare (kondenz) izvučene iz zraka sakupljaju se u spremniku vode uređaja ili se mogu odvoditi odvodnom cijevi. Zbog svog principa rada nije prikladan za povećanje vlažnosti prostorije.

- preporučena veličina prostorije 10-20 m² • 5-načina rada (Odvlaživanje, Automatski, Kontinuiran, Brzo Sušenje Odijeće, Ventilator • zaštita za djecu • memorija zadnje postavke • podesiva vlažnost (30 % - 80 % RH) • 1 - 24 satni timer, mogućnost isključivanja po satu • spremnik za vodu 2,2 litra, svjetlosni indikator nivoa vode u spremniku • pribor, dodatna odvodna cijev

UPORABA

Uređaj se može uključiti pritiskom na tipku **ON / OFF**. Na zaslonu se vidi trenutna relativna vlaga prostorije. Uređaj počinje raditi u posljednjem korištenom načinu rada i brzini ventilatora.

Uređaj označava status vlage u sobi LED svjetlom u boji (9) na prednjoj strani, ispod ručke za nošenje:

- crveno svjetlo visoka vlažnost
- zeleno svjetlo idealna vlažnost
- plava svjetlost previše suh zrak u prostoriji

Pritiskom na tipku **MODE**, trenutni način rada počinje treptati i može se mijenjati strelicama \wedge i \vee . Odabrani način aktivira se nakon 5 sekundi ili se može potvrditi ranije pomoću tipke **MODE**.

ODVLAŽIVANJE: U ovom načinu rada vlažnost se može postaviti od 30% do 80% u koracima od 5%. Pomoću tipki \wedge i \vee povećajte ili smanjite vlažnost koja će bljeskati na zaslonu. Nakon podešavanja, zaslon se vraća na trenutni prikaz vlaže. Kompresor i ventilator su uključeni u postavljenom +3% RH. Kod postavljenih RH -3%, kompresor se isključuje, ventilator radi još 3 minute, a zatim se zaustavlja. Niska ili visoka brzina ventilatora mogu se odabrati tipkom **FAN**.

AUTOMATSKO: U ovom načinu rada uređaj želi doseći tvornički postavljenju razinu od 55% RH. Zeljena vlaga se ne može promijeniti. Brzinu ventilatora odabire uređaj i ne može se podesiti.

KONTINUIRANO: Vlažnost i mala brzina ventilatora ne mogu se podesiti, kompresor radi neprekidno.

BRZO SUŠENJE ODJEĆE: Aparat radi s maksimalnom brzinom ventilatora, pružajući maksimalni kapacitet odvlaživanja. Vlažnost i velika brzina ventilatora ne mogu se podesiti.

VENTILATOR: Samo ventilator radi podesivom brzinom.

Nakon pritiska na tipku **TIMER**, pomoću tipki \wedge i \vee možete namjestiti tajmer u satima u trajanju od 1-24 sata. Na zaslonu trepće postavljena vrijednost. Vrijednost 00 znači da je tajmer isključen. Ukjučeni tajmer isključivanja označen je crvenom lampicom **TIMER**, preostalo vrijeme možete provjeriti pritiskom na tipku **TIMER**.

Uključivanje i isključivanje kompresora upravlja se načinom rada uređaja i postavljenoj vlažnosti. Kada kompresor radi, topli zrak izlazi iz izlaznog otvora, što je prirodna pojava, a ne kvar uređaja. Uključivanje i isključivanje kompresora prati lagana vibracija u trajanju od nekoliko sekundi, koja nestaje nastavljanjem rada.

Uređaj ima funkciju zaštita za djecu koja se može uključiti i isključiti pritiskom tipki \wedge i \vee zajedno. Funkcija zaštita za djecu se potvrđuje \blacksquare svjetlosnim indikatorom.

Kad se aktivira zaštita za djecu, uređaj ne reagira na pritisakanje tipki, niti na tipku za **ON / OFF**.

Kada svijetli indikator **Spremnik pun**, spremnik za vodu je pun ili nije na svom mjestu.

Na temperaturama nižim od 18 °C, aparat odmrzava otprilike 5 minuta svakih 25 minuta. U međuvremenu, žaruljica odmrzavanje svijetli. Ne isključujte uređaj tijekom odmrzavanja.

SPREMNİK ZA VODU

The appliance stops when the water tank is full or out of place. Crveno svjetlo indikatora Spremnik pun svijetli, a uređaj emituje beep zvuk 20 sekundi. LED indikator (9) ispod ručke za nošenje treperi crveno.

Praznjenje spremnika vode (Slika 3.)

- Prije praznjenja spremnika za vodu, isključite uređaj i izvucite utikač iz el. utičnice.
- Držite spremnik za vodu (5) s obje strane i izvucite ga iz uređaja.
- Polako izlijte prikupljenu vodu, a zatim pažljivo gurnite spremnik za vodu na svoje mjesto.

Kontinuirana odvodnja vode

Ako duže vrijeme koristite uređaj, s uređajem, možete koristiti odvodnu cijev (8). Ako koristite odvodnu cijev, spremnik za vodu također mora biti na mjestu.

- Prije spajanja odvodne cijevi, isključite uređaj i izvucite utikač iz el. utičnice.
- Ako želite koristiti odvodnu cijev, spojite je na mjesto prikazano na slici 1. Da biste to učinili, izvucite gumeni čep na stražnjoj strani uređaja.
- Vodite računa da odvodna cijev nije blokirana, da nije pukla ili da voda u njoj nije smrznuta.

SPECIFIKACIJE

kapacitet odvlaživanja:

10 L / 24 h (30°C, RH: 80%)
5 L / 24 h (27°C, RH: 60%)

AC 220-240 V ~

napon:

50 Hz

nominalna snaga:

120 W (27°C, RH: 60%)

nominalna struja:

1,25 A (27°C, RH: 60%)

max. snaga:

245 W (32°C, RH: 90%)

max. struja:

1,40 A (32°C, RH: 90%)

max. usisni pritisak:

1,2 MPa

max. ispušni pritisak:

2,5 MPa

rashladno sredstvo:

R290 / 35 g

EQV CO₂ 0,0001 t

GWP R290: 3

radna temperatura:

5 – 32 °C

razina buke:

45 dB(A)

spremnik za vodu:

2,2 L

dužina odvodne cijevi:

30 cm

protok zraka:

120 m³/h

dužina napojnog kabela:

1,8 m

dimenzije uređaja:

284 x 480 x 240 mm

net. težina:

9 kg

Producer/ Gyártó/ Výrobca/ Producător/ Proizvođač/ Výrobce/ Proizvođač/ Producent:
SOMOGYI ELEKTRONIC® H – 9027 • Győr, Gesztenyefa út 3.
www.somogyi.hu • Származási hely: Kína

Distribútor: **SOMOGYI ELEKTRONIC SLOVENSKO S. R. O.**
Ul. gen. Klapku 77, 945 01 Komárno, SK,
Tel.: +421/0/35 7902400 • www.somogyi.sk
Krajina pôvodu: Čína

Distributor: **S.C. SOMOGYI ELEKTRONIC S.R.L.**
J12/2014/13.06.2006 C.U.I.: RO 18761195
Cluj-Napoca, județul Cluj, România, Str. Prof. Dr. Gheorghe Marinescu, nr. 2, Cod poștal: 400337
Tel.: +40 264 406 488, Fax: +40 264 406 489 • www.somogyi.ro
Țara de origine: China • Producător: Somogyi Elektronik Kft

Uvoznik za SRB: **ELEMENTA d.o.o.**
Jovana Mikića 56, 24000 Subotica, Srbija • Tel:+381(0)24 686 270 • www.elementa.rs
Zemlja uvoza: Mađarska • Zemlja porekla: Kína • Proizvođač: Somogyi Elektronik Kft.

Uvoznik za HR: **ZED d.o.o.**
Industrijska c. 5, 10360 Sesvete, Hrvatska • Tel: +385 1 2006 148 • www.zed.hr
Uvoznik za BiH: **DIGITALIS d.o.o.**
M.Spahc 2A/30, 72290 Novi Travnik, BiH • Tel: +387 61 095 095 • www.digitalis.ba
Zemlja podrijetla: Kína • Proizvođač: Somogyi Elektronik Kft, Gesztenyefa ut 3, 9027 Győr, Mađarska

